

- Angular 90° female M12 connectors for Bus-IN

Product code: CS-LR05HC

Datasheet creation date: 07/03/2025 16:12

Check the most updated document online [click here](#)

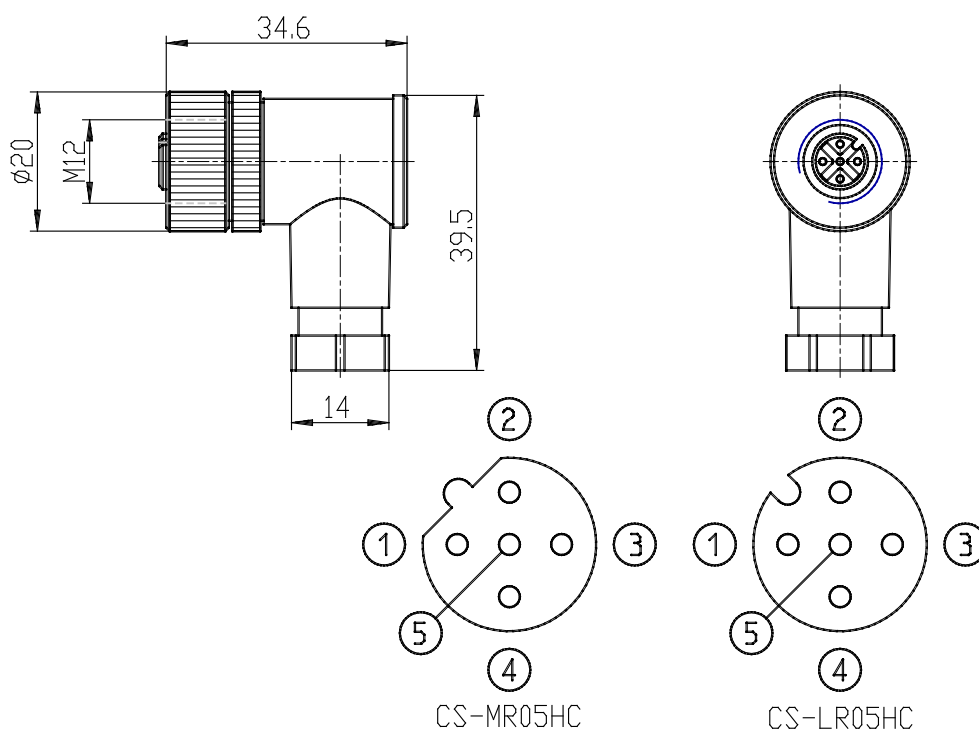


TECHNICAL DATA

Mod.	CS-LR05HC
Type of connector	For wiring
Description	90°
Type of connection	M12 A 5 pin female
Protocol	CANopen - DeviceNet

- Angular 90° female M12 connectors for Bus-IN

Product code: CS-LR05HC



DIMENSIONS

Mod.	CS-LR05HC
Type of connector	For wiring
Description	90°
Type of connection	M12 A 5 pin female
Protocol	CANopen - DeviceNet