

Angular M12 male connector 90° - Mod. CS-LS05HC

Product code: CS-LS05HC

Datasheet creation date: 07/03/2025 16:11

Check the most updated document online [click here](#)

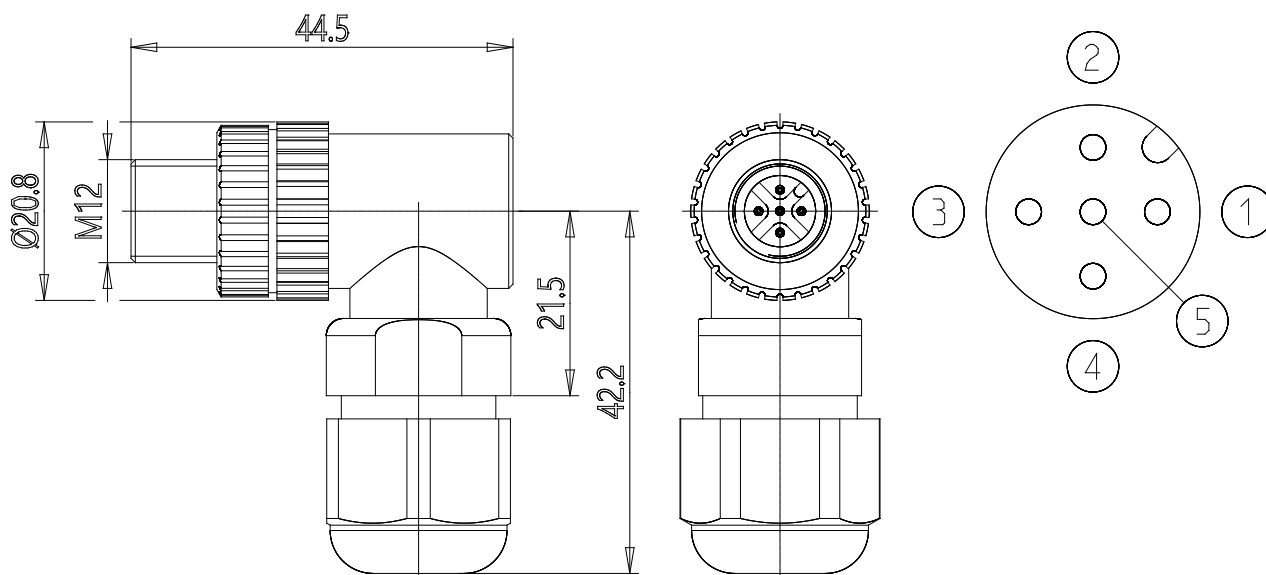


TECHNICAL DATA

Mod.	CS-LS05HC
Type of connector	For wiring
Description	90°
Type of connection	M12 5 pin male

Angular M12 male connector 90° - Mod. CS-LS05HC

Product code: CS-LS05HC



DIMENSIONS

Mod.	CS-LS05HC
Type of connector	For wiring
Description	90°
Type of connection	M12 5 pin male