

- 5 pin male angular M12 DUO connector

Product code: CS-MS05HC

Datasheet creation date: 20/05/2026 08:43

Check the most updated document online [click here](#)

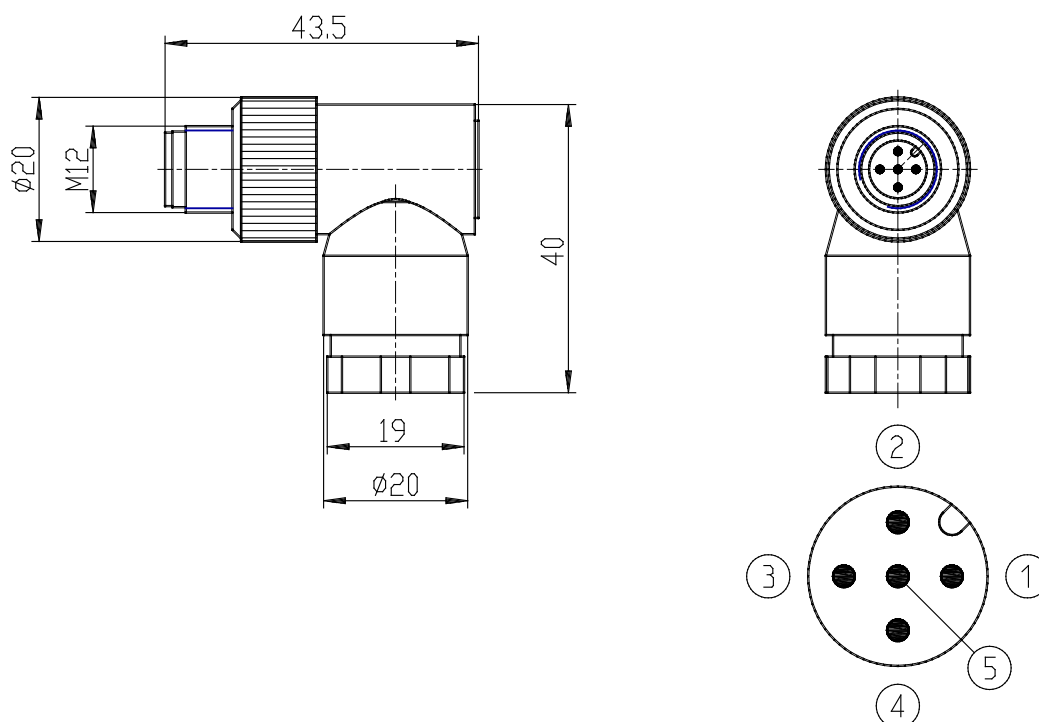


■ TECHNICAL DATA

Mod.	CS-MS05HC
Description	For wiring
Connector type	90°
Connection	M12 B 5 pin male
Protocol	Profibus

- 5 pin male angular M12 DUO connector

Product code: CS-MS05HC



■ DIMENSIONS

Mod.	CS-MS05HC
Description	For wiring
Connector type	90°
Connection	M12 B 5 pin male
Protocol	Profibus