

Adaptor and panel mount for Ethernet RJ45 to M12 D networks - Mod. CS-SE04HB-F050

Product code: CS-SE04HB-F050

Datasheet creation date: 07/03/2025 16:11

Check the most updated document online [click here](#)

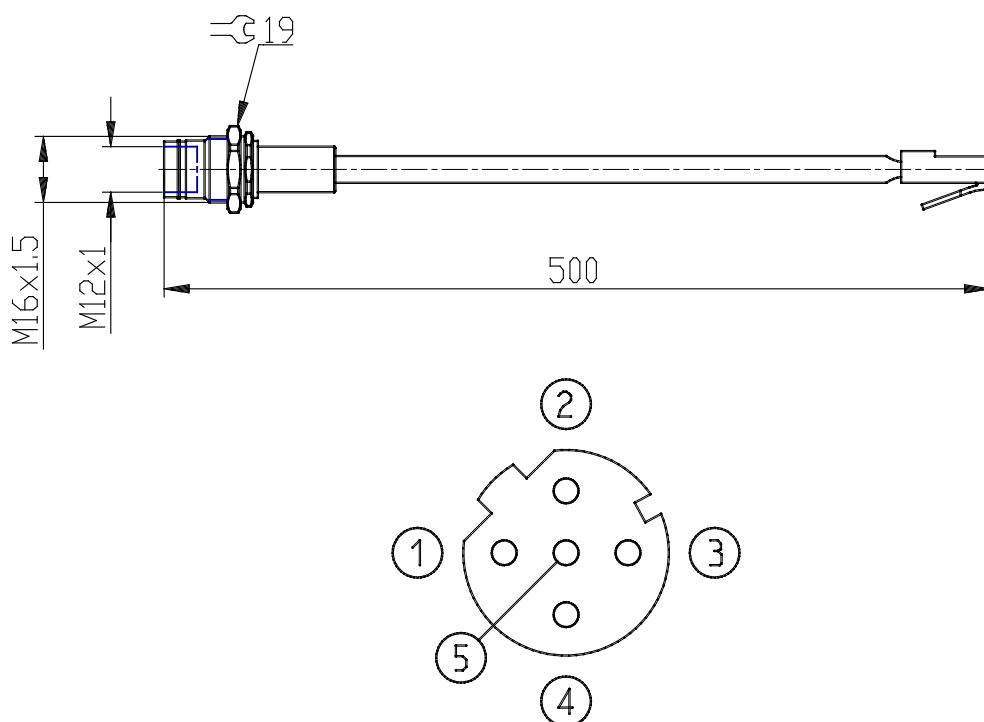


■ TECHNICAL DATA

Mod.	CS-SE04HB-F050
------	----------------

Adaptor and panel mount for Ethernet RJ45 to M12 D networks - Mod. CS-SE04HB-F050

Product code: CS-SE04HB-F050



DIMENSIONS

T	type of
C	RJ45 male, M12 D 4 pin female - Pin
L (mt)	0.5