

- Male wiring connector for Bus-IN and Bus-OUT

Product code: CS-SM04H0

Datasheet creation date: 07/03/2025 16:11

Check the most updated document online [click here](#)

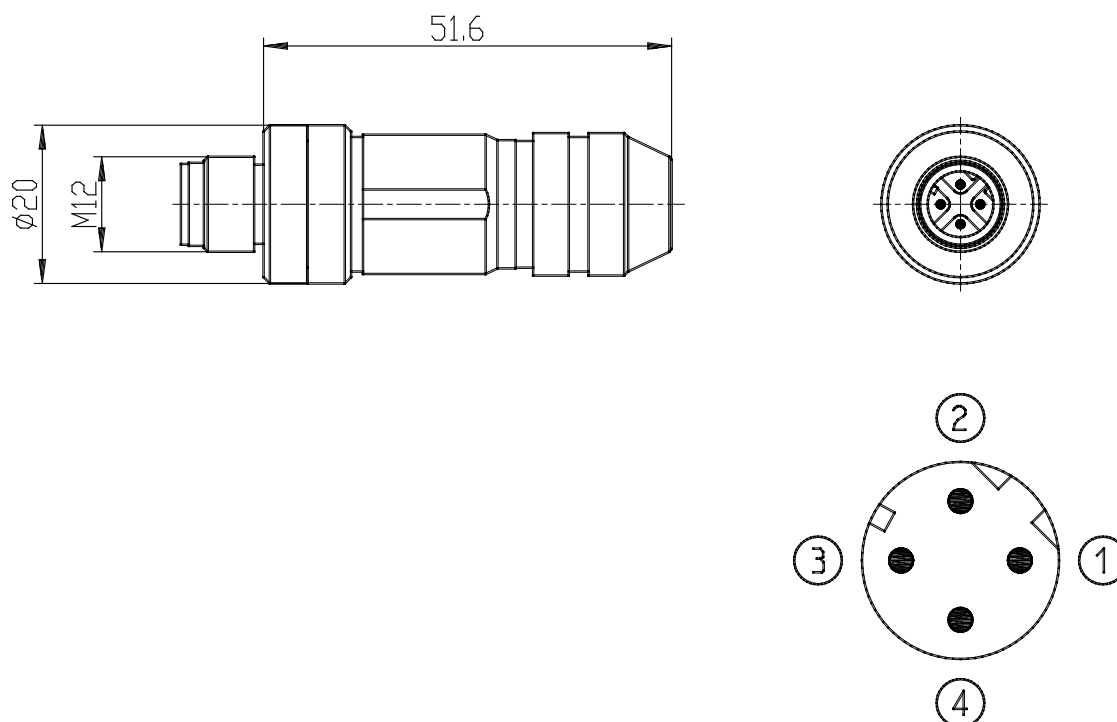


■ TECHNICAL DATA

Mod.	CS-SM04H0
------	-----------

- Male wiring connector for Bus-IN and Bus-OUT

Product code: CS-SM04H0



DIMENSIONS

Mod.	CS-SM04H0
------	-----------