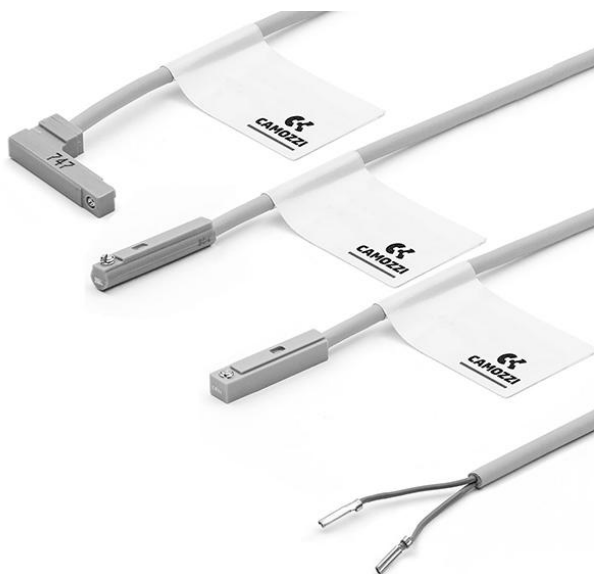


Magnetic proximity switches - Series CST-CSV-CSH

Product code: CSB-D-220

Datasheet creation date: 10/03/2025 10:46

Check the most updated document online [click here](#)

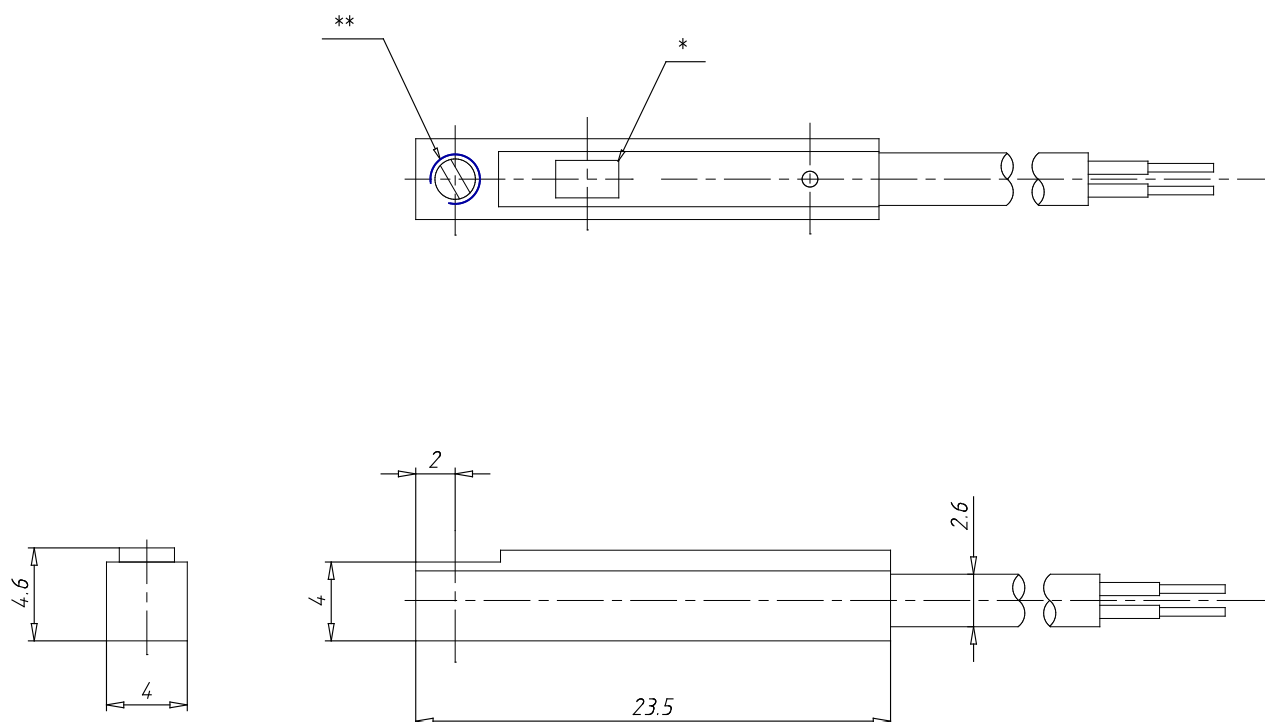


TECHNICAL DATA

Mod.	CSB-D-220
------	-----------

Magnetic proximity switches - Series CST-CSV-CSH

Product code: CSB-D-220



DIMENSIONS

Mod.	CSB-D-220
-------------	-----------