

Magnetic proximity switches, ATEX "II 3 GD" certified, T-slot, straight - Series CSG

Product code: CSG-223-5-UL

Datasheet creation date: 10/03/2025 10:47

Check the most updated document online [click here](#)

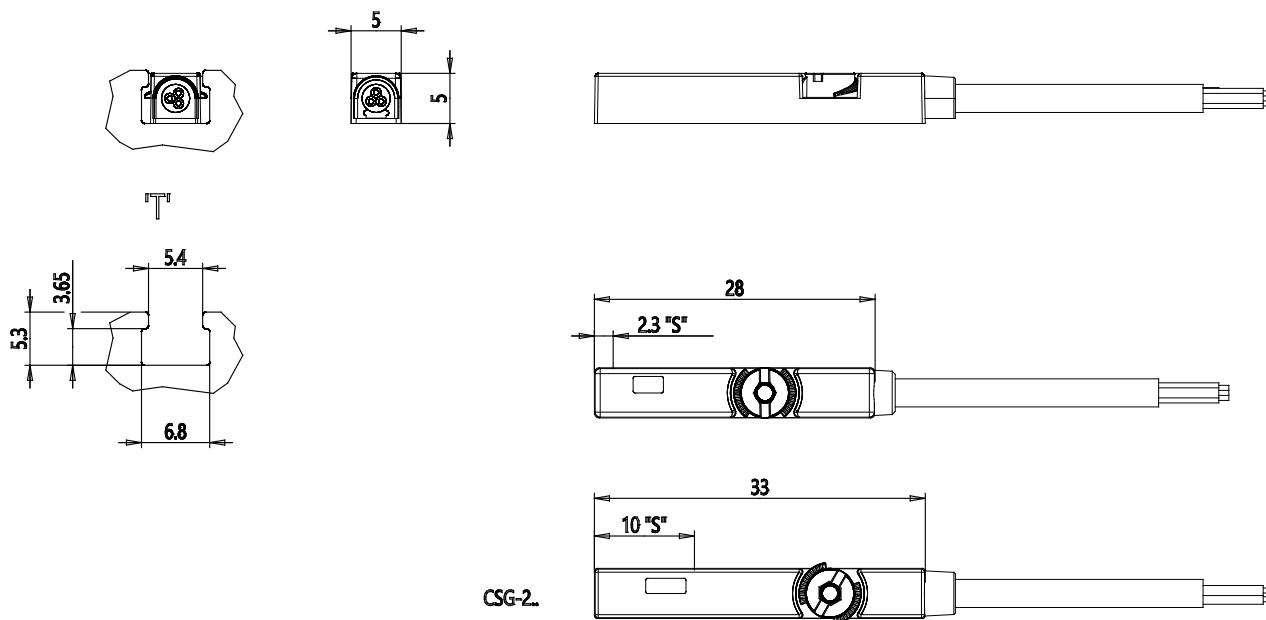


TECHNICAL DATA

| | |
|---------------------|----------------|
| Mod. | CSG-223-5-UL |
| Operation | Reed |
| Connection | 2 wires |
| Voltage | 5 ÷ 30 V AC/DC |
| Exit | - |
| Max. current | 60 mA |
| Max Load | 1.8 W |
| Protection | IP67 |

Magnetic proximity switches, ATEX "II 3 GD" certified, T-slot, straight - Series CSG

Product code: CSG-223-5-UL



DIMENSIONS

| | |
|---------------------|----------------|
| Mod. | CSG-223-5-UL |
| Operation | Reed |
| Connection | 2 wires |
| Voltage | 5 ÷ 30 V AC/DC |
| Exit | - |
| Max. current | 60 mA |
| Max Load | 1.8 W |
| Protection | IP67 |