

# Magnetic proximity switches, ATEX "II 3 GD" certified, T-slot, straight - Series CSG

Product code: CSG-233-2-EX

Datasheet creation date: 10/03/2025 10:47

Check the most updated document online [click here](#)

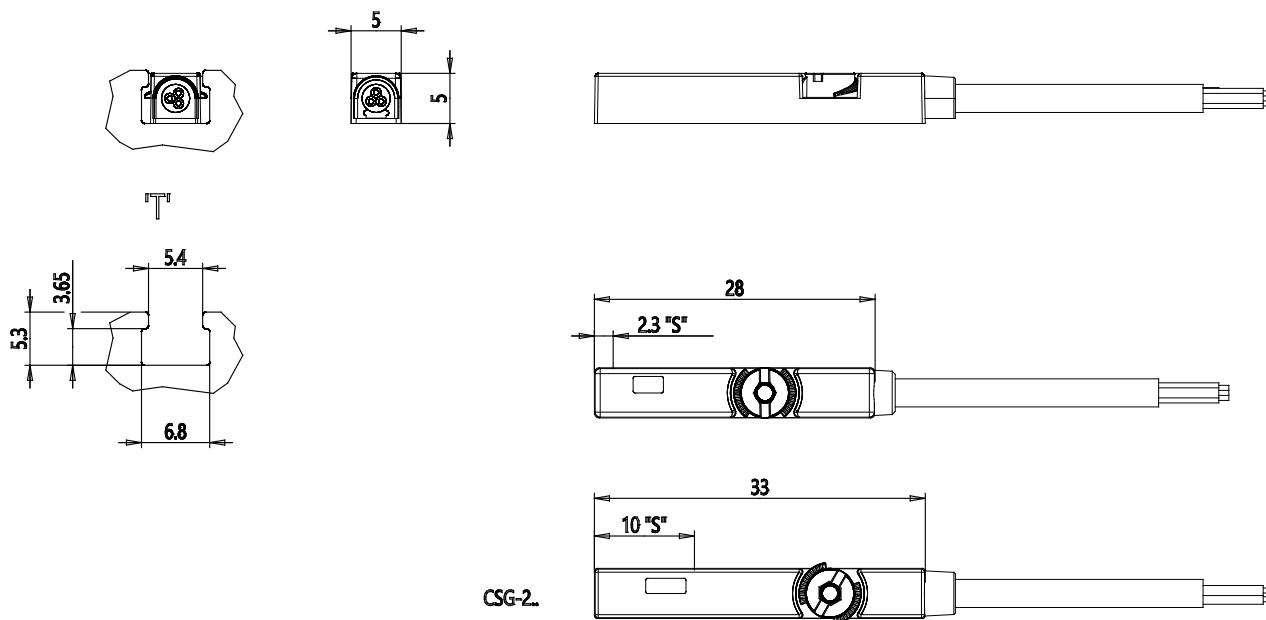


## TECHNICAL DATA

<b>Mod.</b>	CSG-233-2-EX
<b>Operation</b>	Reed NO
<b>Connection</b>	3 wires
<b>Voltage</b>	10 ÷ 30 V AC/DC
<b>Exit</b>	-
<b>Max. current</b>	500 mA
<b>Max Load</b>	10 W
<b>Protection</b>	IP67

## Magnetic proximity switches, ATEX "II 3 GD" certified, T-slot, straight - Series CSG

Product code: CSG-233-2-EX



### DIMENSIONS

<b>Mod.</b>	CSG-233-2-EX
<b>Operation</b>	Reed NO
<b>Connection</b>	3 wires
<b>Voltage</b>	10 ÷ 30 V AC/DC
<b>Exit</b>	-
<b>Max. current</b>	500 mA
<b>Max Load</b>	10 W
<b>Protection</b>	IP67