

## Magnetic proximity switches, ATEX "II 3 GD" certified, T-slot, straight - Series CSG

Product code: CSG-233-5-EX

Datasheet creation date: 10/03/2025 10:47

Check the most updated document online [click here](#)

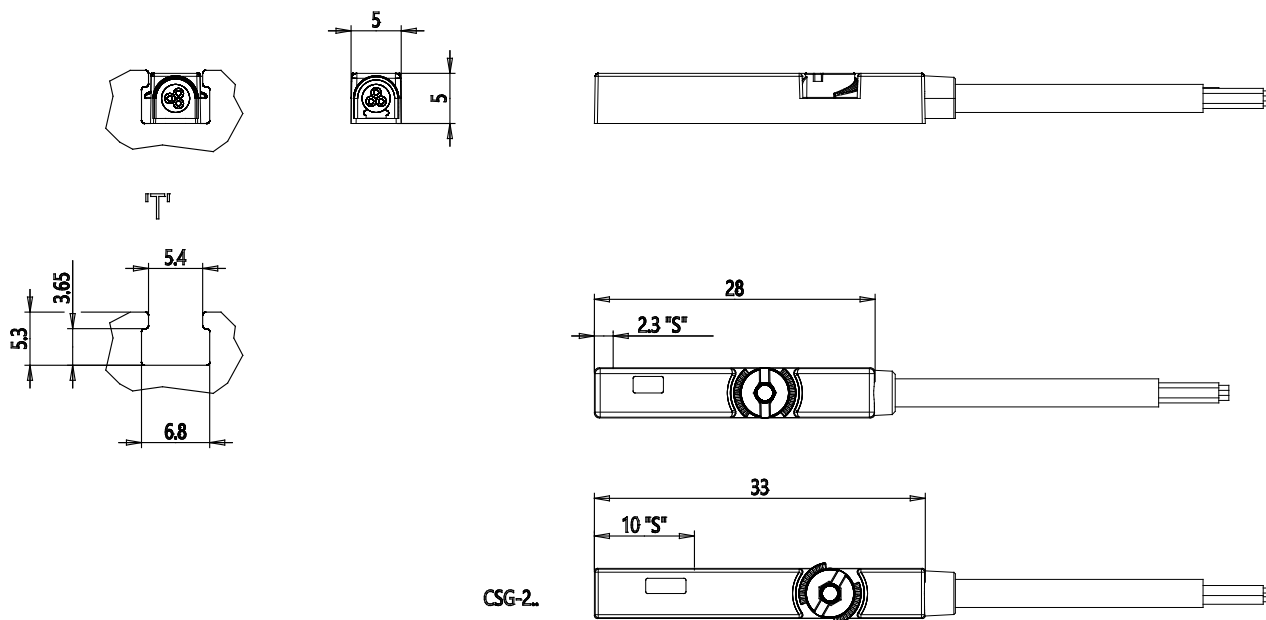


### TECHNICAL DATA

|                     |                 |
|---------------------|-----------------|
| <b>Mod.</b>         | CSG-233-5-EX    |
| <b>Operation</b>    | Reed NO         |
| <b>Connection</b>   | 3 wires         |
| <b>Voltage</b>      | 10 ÷ 30 V AC/DC |
| <b>Exit</b>         | -               |
| <b>Max. current</b> | 500 mA          |
| <b>Max Load</b>     | 10 W            |
| <b>Protection</b>   | IP67            |

## Magnetic proximity switches, ATEX "II 3 GD" certified, T-slot, straight - Series CSG

Product code: CSG-233-5-EX



### DIMENSIONS

|                     |                 |
|---------------------|-----------------|
| <b>Mod.</b>         | CSG-233-5-EX    |
| <b>Operation</b>    | Reed NO         |
| <b>Connection</b>   | 3 wires         |
| <b>Voltage</b>      | 10 ÷ 30 V AC/DC |
| <b>Exit</b>         | -               |
| <b>Max. current</b> | 500 mA          |
| <b>Max Load</b>     | 10 W            |
| <b>Protection</b>   | IP67            |