

Magnetic proximity switches, ATEX "II 3 GD" certified, T-slot, straight - Series CSG (M8)

Product code: CSG-253

Datasheet creation date: 10/03/2025 10:47

Check the most updated document online [click here](#)

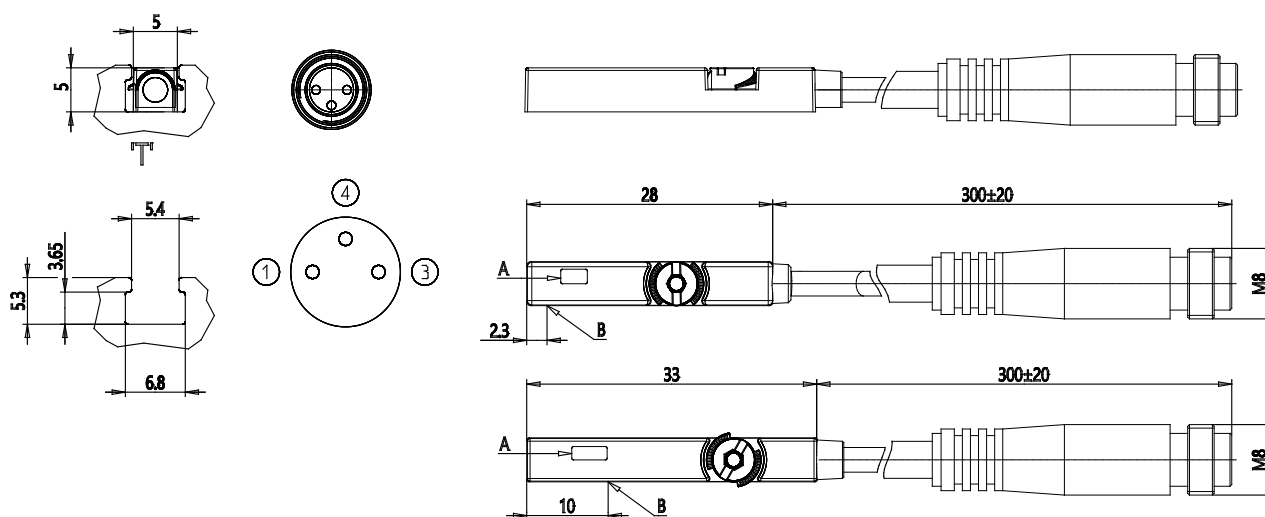


TECHNICAL DATA

Mod.	CSG-253
Operation	Reed
Connection	2 wires with connector M8
Voltage	5 ÷ 240 V AC/DC
Exit	-
Max. current	100 mA
Max Load	10 W
Protection	IP67

Magnetic proximity switches, ATEX "II 3 GD" certified, T-slot, straight - Series CSG (M8)

Product code: CSG-253



DIMENSIONS

Mod.	CSG-253
Operation	Reed
Connection	2 wires with connector M8
Voltage	5 ÷ 240 V AC/DC
Exit	-
Max. current	100 mA
Max Load	10 W
Protection	IP67