

## Magnetic proximity switches, ATEX "II 3 GD" certified, T-slot, straight - Series CSG (M8)

Product code: CSG-263

Datasheet creation date: 10/03/2025 10:47

Check the most updated document online [click here](#)

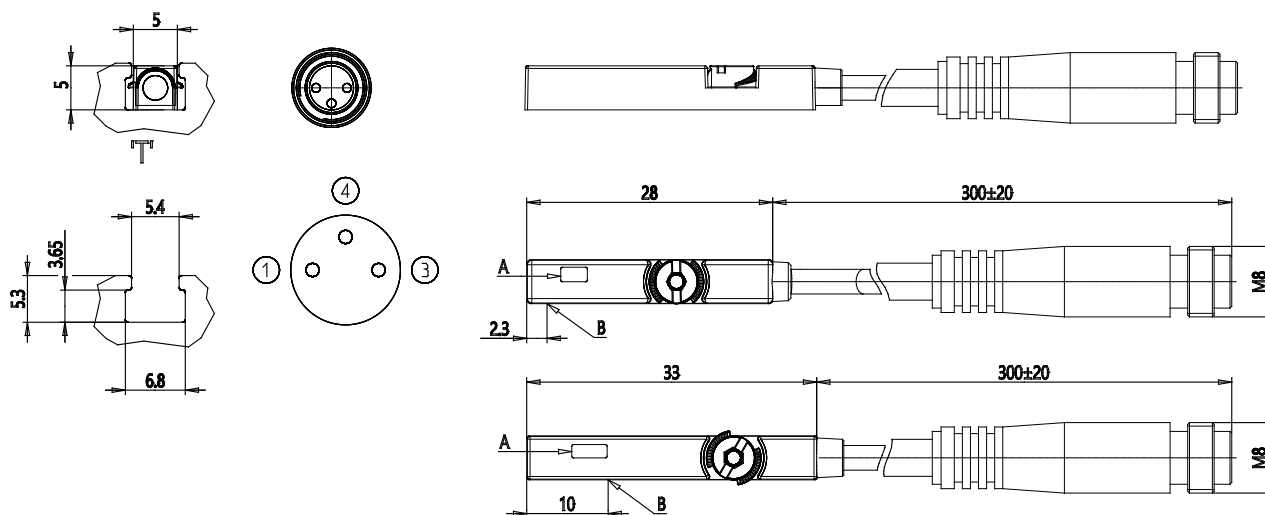


### TECHNICAL DATA

<b>Mod.</b>	CSG-263
<b>Operation</b>	Reed
<b>Connection</b>	3 wires with connector M8
<b>Voltage</b>	10 ÷ 30 V AC/DC
<b>Exit</b>	-
<b>Max. current</b>	500 mA
<b>Max Load</b>	10 W
<b>Protection</b>	IP67

## Magnetic proximity switches, ATEX "II 3 GD" certified, T-slot, straight - Series CSG (M8)

Product code: CSG-263



### DIMENSIONS

<b>Mod.</b>	CSG-263
<b>Operation</b>	Reed
<b>Connection</b>	3 wires with connector M8
<b>Voltage</b>	10 ÷ 30 V AC/DC
<b>Exit</b>	-
<b>Max. current</b>	500 mA
<b>Max Load</b>	10 W
<b>Protection</b>	IP67