

Magnetic proximity switches, ATEX "II 3 GD" certified, T-slot, straight - Series CSG

Product code: CSG-324-2-UL

Datasheet creation date: 10/03/2025 10:47

Check the most updated document online [click here](#)

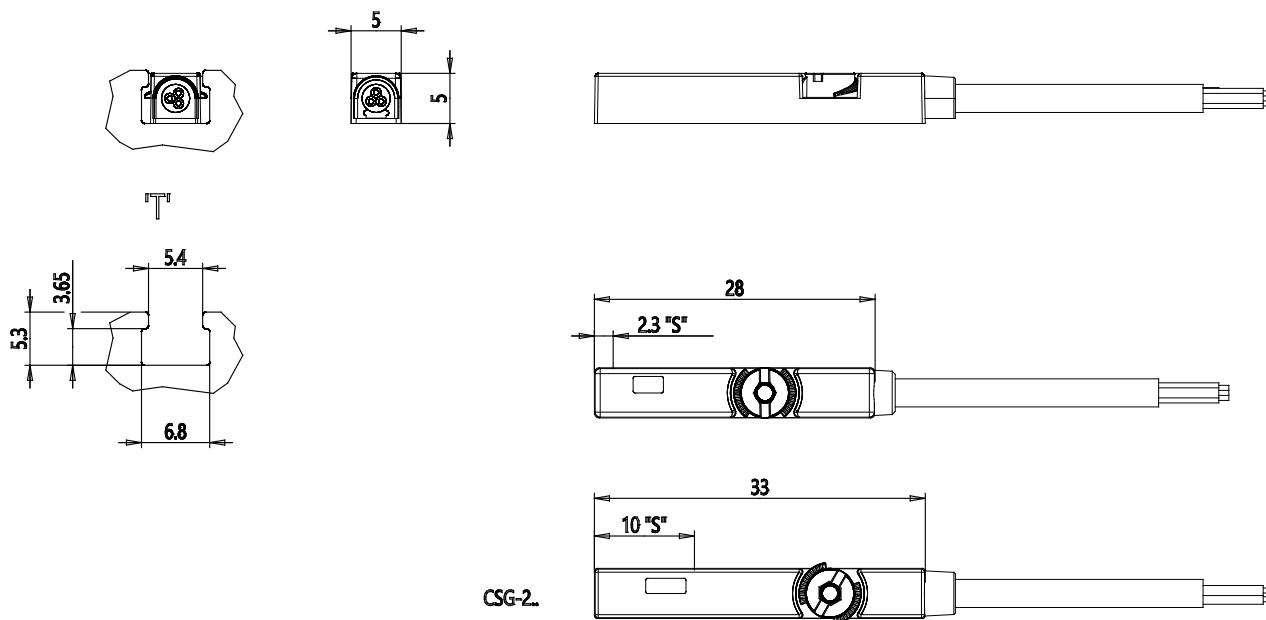


TECHNICAL DATA

Mod.	CSG-324-2-UL
Operation	Magnetoresistive
Connection	2 wires
Voltage	10 ÷ 28 V DC
Exit	-
Max. current	40 mA
Max Load	1.2 W
Protection	IP67

Magnetic proximity switches, ATEX "II 3 GD" certified, T-slot, straight - Series CSG

Product code: CSG-324-2-UL



DIMENSIONS

Mod.	CSG-324-2-UL
Operation	Magneto-resistive
Connection	2 wires
Voltage	10 ÷ 28 V DC
Exit	-
Max. current	40 mA
Max Load	1.2 W
Protection	IP67