

Magnetic proximity switches, ATEX "II 3 GD" certified, T-slot, straight - Series CSG

Product code: CSG-534-2

Datasheet creation date: 10/03/2025 10:48

Check the most updated document online [click here](#)

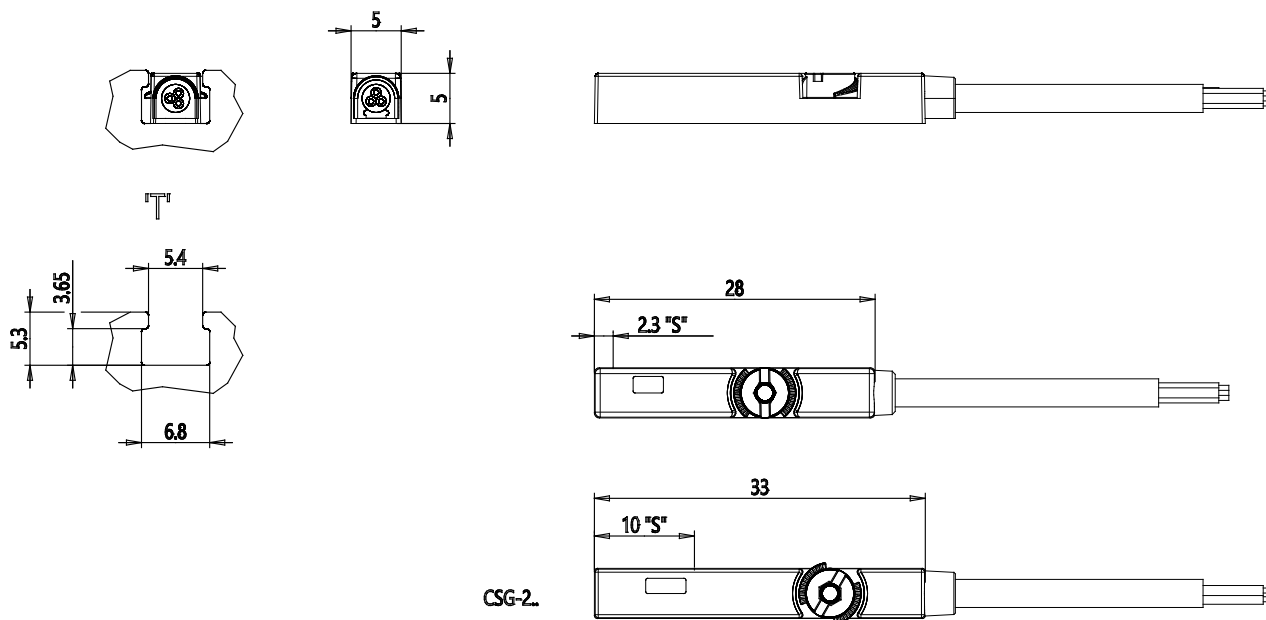


TECHNICAL DATA

Mod.	CSG-534-2
Operation	Magneto-resistive
Connection	3 wires

Magnetic proximity switches, ATEX "II 3 GD" certified, T-slot, straight - Series CSG

Product code: CSG-534-2



DIMENSIONS

Voltage	10 ÷ 28 V DC
Exit	NPN
Max. current	200 mA
Max Load	5.5 W
Protection	IP67
Cable length (m)	2 mt