

Magnetic proximity switches, ATEX "II 3 GD" certified, T-slot, straight - Series CSG

Product code: CSG-534-5-UL

Datasheet creation date: 10/03/2025 10:48

Check the most updated document online [click here](#)

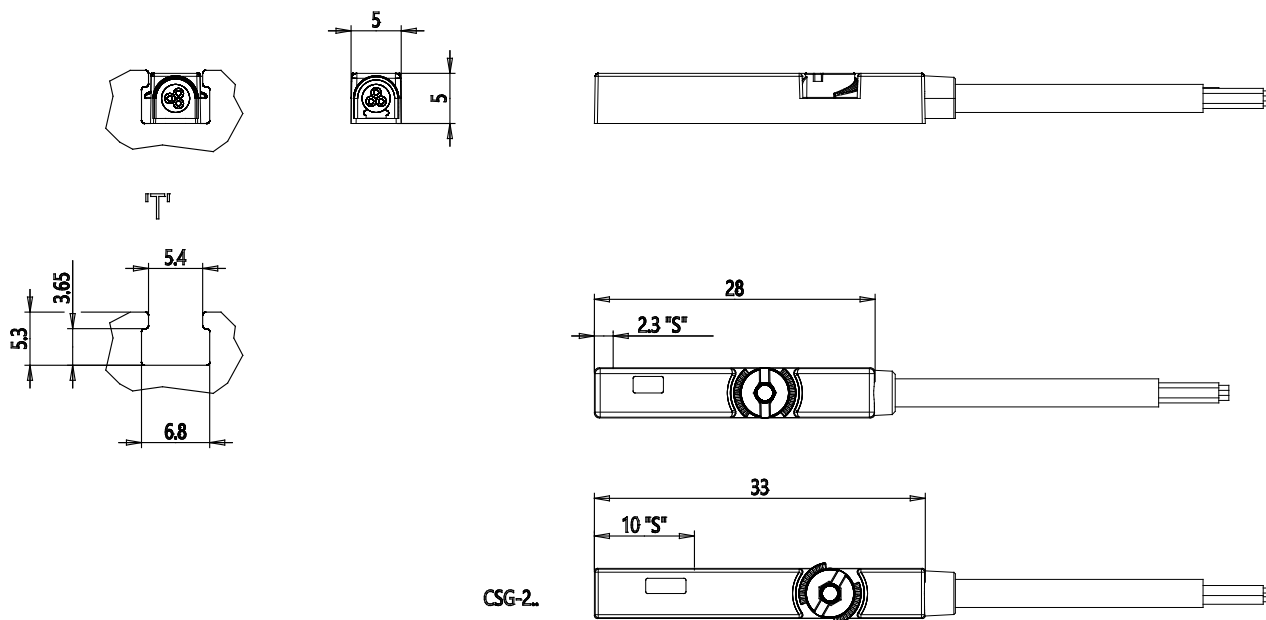


TECHNICAL DATA

| | |
|---------------------|------------------|
| Mod. | CSG-534-5-UL |
| Operation | Magnetoresistive |
| Connection | 3 wires |
| Voltage | 10 ÷ 28 V DC |
| Exit | NPN |
| Max. current | 100 mA |
| Max Load | 3 W |
| Protection | IP67 |

Magnetic proximity switches, ATEX "II 3 GD" certified, T-slot, straight - Series CSG

Product code: CSG-534-5-UL



DIMENSIONS

| | |
|---------------------|-------------------|
| Mod. | CSG-534-5-UL |
| Operation | Magneto-resistive |
| Connection | 3 wires |
| Voltage | 10 ÷ 28 V DC |
| Exit | NPN |
| Max. current | 100 mA |
| Max Load | 3 W |
| Protection | IP67 |