

Magnetic proximity switch - Series CST,CSV e CSH

Product code: CSH-221-5

Datasheet creation date: 10/03/2025 10:48

Check the most updated document online [click here](#)

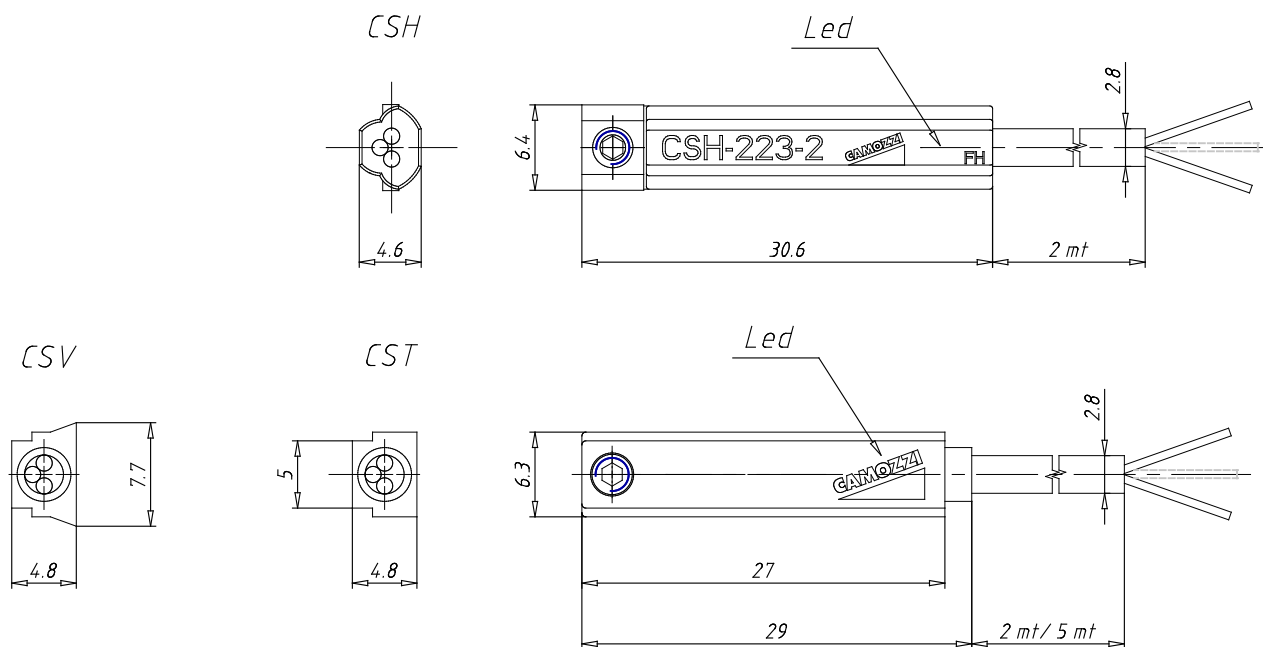


TECHNICAL DATA

| | |
|--------------------|---|
| Mod. | CSH-221-5 |
| Description | Reed sensor 2 wires 30-230V AC-DC with cable 5 mt |

Magnetic proximity switch - Series CST,CSV e CSH

Product code: CSH-221-5



DIMENSIONS

| | |
|--------------------|---|
| Mod. | CSH-221-5 |
| Description | Reed sensor 2 wires 30-230V AC-DC with cable 5 mt |