

Magnetic proximity switch - Series CST,CSV e CSH

Product code: CSH-221-5EX

Datasheet creation date: 10/03/2025 10:48

Check the most updated document online [click here](#)

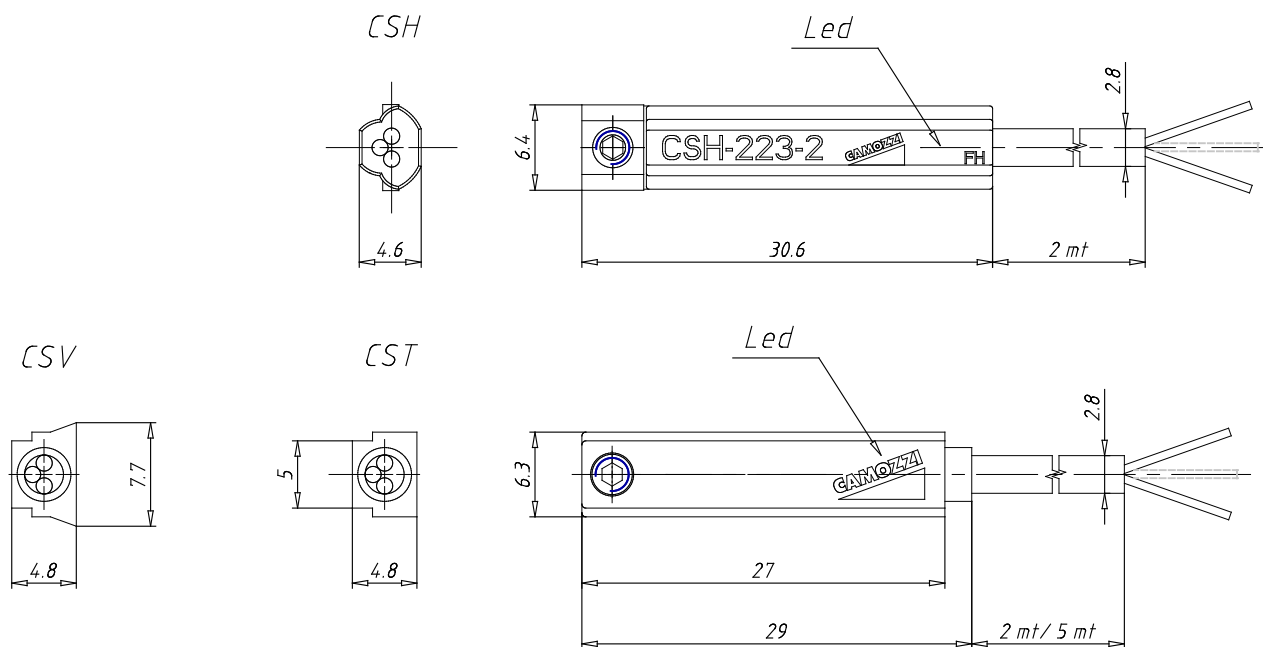


TECHNICAL DATA

Mod.	CSH-221-5EX
Description	Reed sensor 2 wires 30-230V AC-DC with cable 5 mt

Magnetic proximity switch - Series CST,CSV e CSH

Product code: CSH-221-5EX



DIMENSIONS

Mod.	CSH-221-5EX
Description	Reed sensor 2 wires 30-230V AC-DC with cable 5 mt