

Magnetic proximity switch - Series CST,CSV e CSH

Product code: CSH-334-2

Datasheet creation date: 10/03/2025 10:49

Check the most updated document online [click here](#)

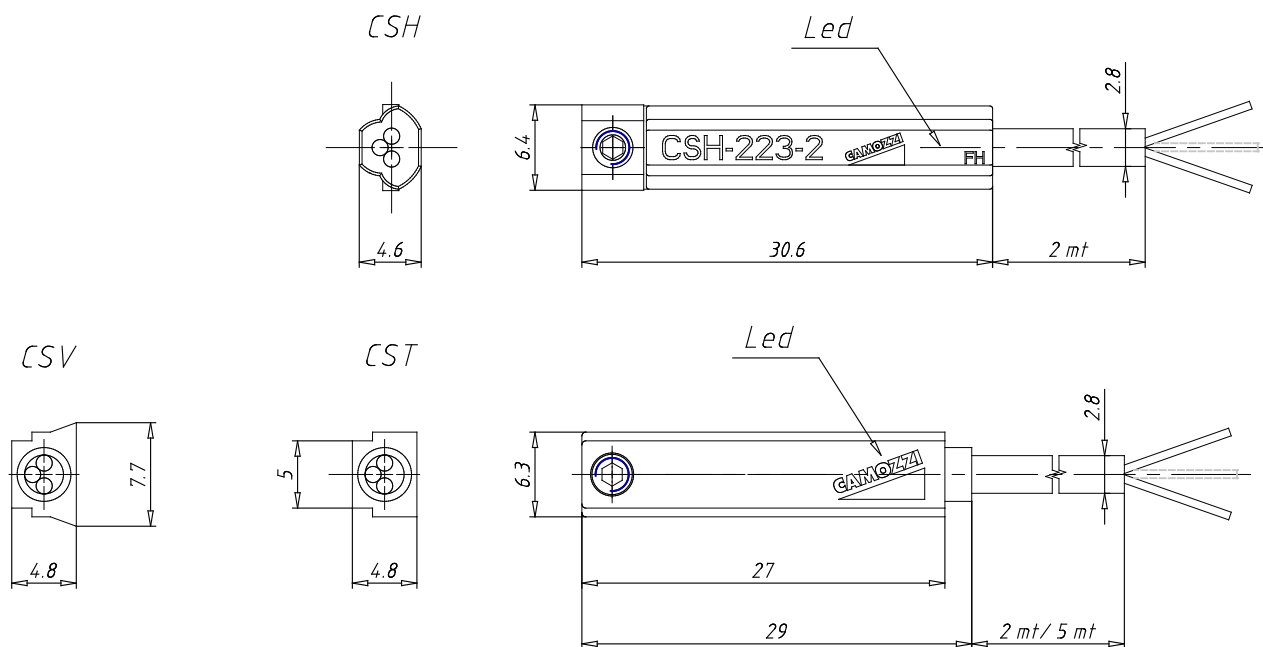


TECHNICAL DATA

| | |
|--------------------|-----------------------------------|
| Mod. | CSH-334-2 |
| Description | Electronic sensor with cable 2 mt |

Magnetic proximity switch - Series CST,CSV e CSH

Product code: CSH-334-2



DIMENSIONS

| | |
|--------------------|-----------------------------------|
| Mod. | CSH-334-2 |
| Description | Electronic sensor with cable 2 mt |