

## Magnetic proximity switch - Series CST,CSV e CSH

Product code: CSH-433-5

Datasheet creation date: 10/03/2025 10:49

Check the most updated document online [click here](#)

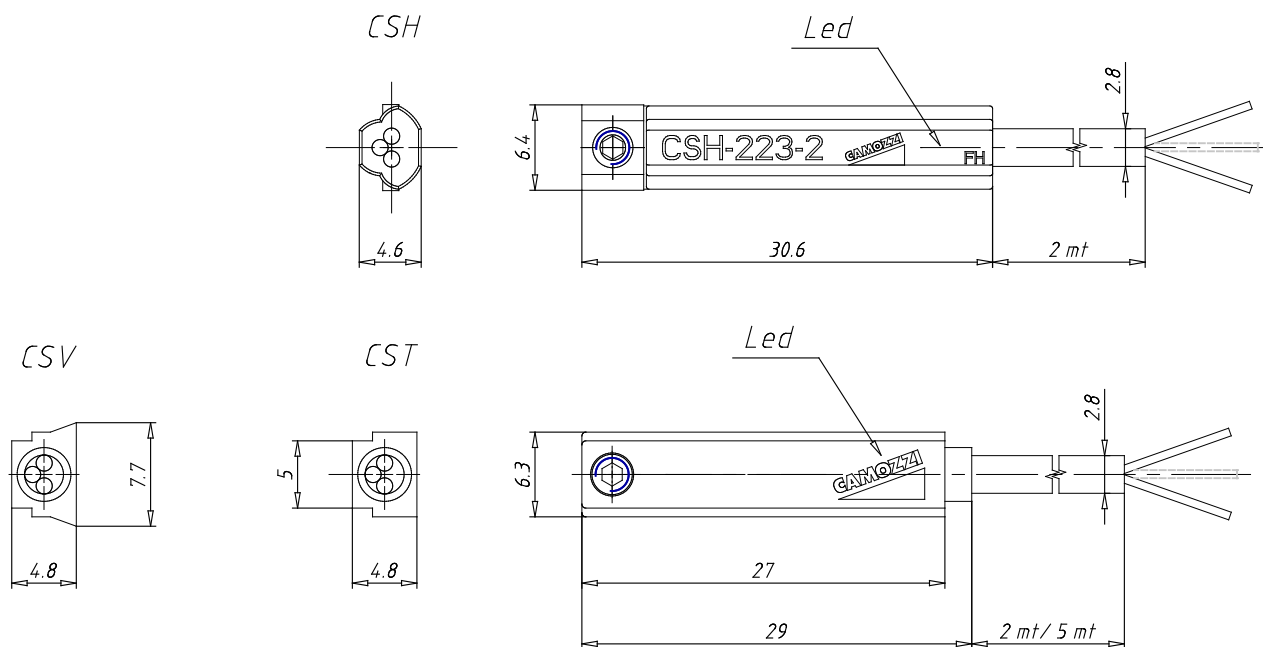


### TECHNICAL DATA

<b>Mod.</b>	CSH-433-5
<b>Description</b>	Reed sensor 3 wires 10-30V AC-DC with cable 5 mt

## Magnetic proximity switch - Series CST, CSV e CSH

Product code: CSH-433-5



### DIMENSIONS

<b>Mod.</b>	CSH-433-5
<b>Description</b>	Reed sensor 3 wires 10-30V AC-DC with cable 5 mt