

Wired magnetic sensor - Series CST,CSV, CSH

Product code: CST-232-5

Datasheet creation date: 10/03/2025 10:49

Check the most updated document online [click here](#)

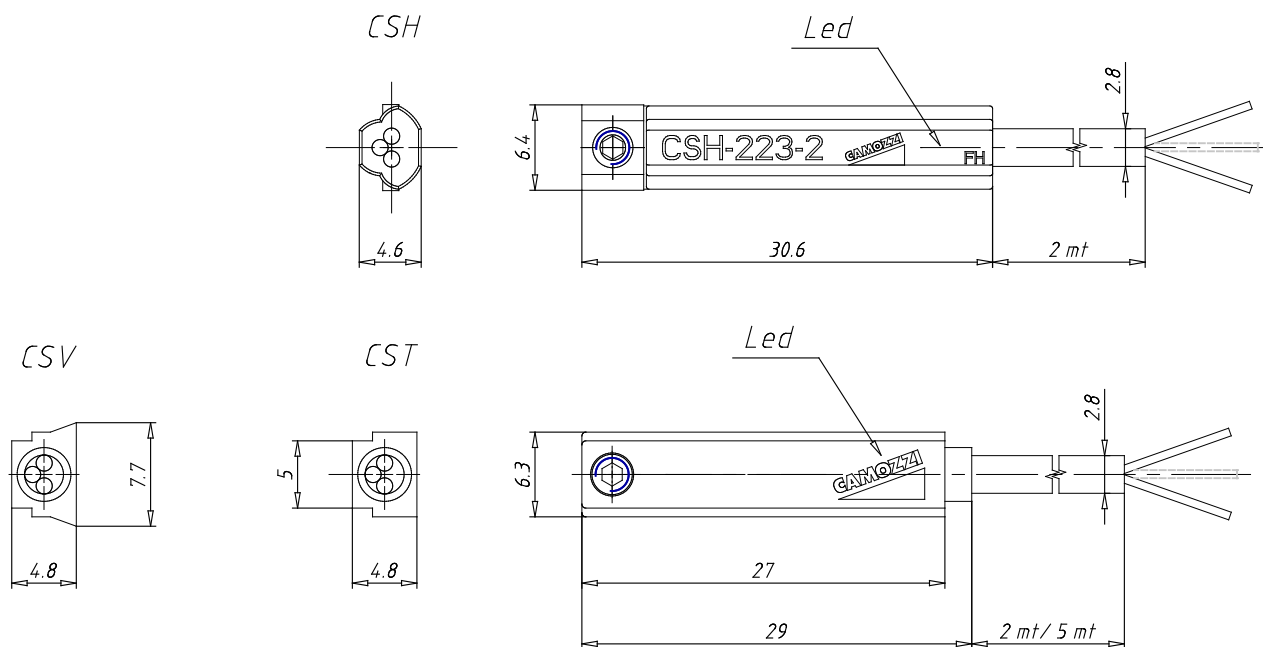


TECHNICAL DATA

Mod.	CST-232-5
Description	sensor reed 3 wires with cable 5 mt

Wired magnetic sensor - Series CST,CSV, CSH

Product code: CST-232-5



DIMENSIONS

Mod.	CST-232-5
Description	sensor reed 3 wires with cable 5 mt