

## Magnetic proximity switch - Series CST,CSV e CSH

Product code: CST-232

Datasheet creation date: 10/03/2025 10:49

Check the most updated document online [click here](#)

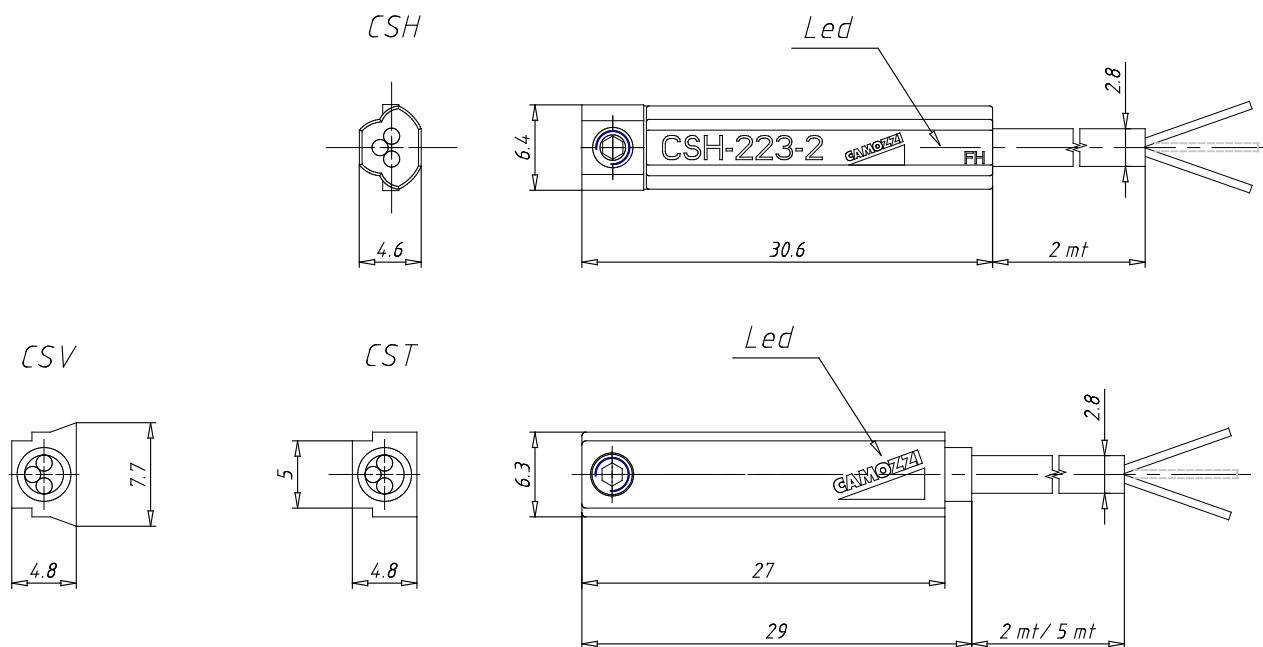


### TECHNICAL DATA

<b>Mod.</b>	CST-232
<b>Description</b>	Reed sensor 3 wires with cable 2 mt

## Magnetic proximity switch - Series CST,CSV e CSH

Product code: CST-232



### DIMENSIONS

<b>Mod.</b>	CST-232
<b>Description</b>	Reed sensor 3 wires with cable 2 mt