

Magnetic proximity switch - Series CST,CSV e CSH

Product code: CST-232EX

Datasheet creation date: 10/03/2025 10:49

Check the most updated document online [click here](#)

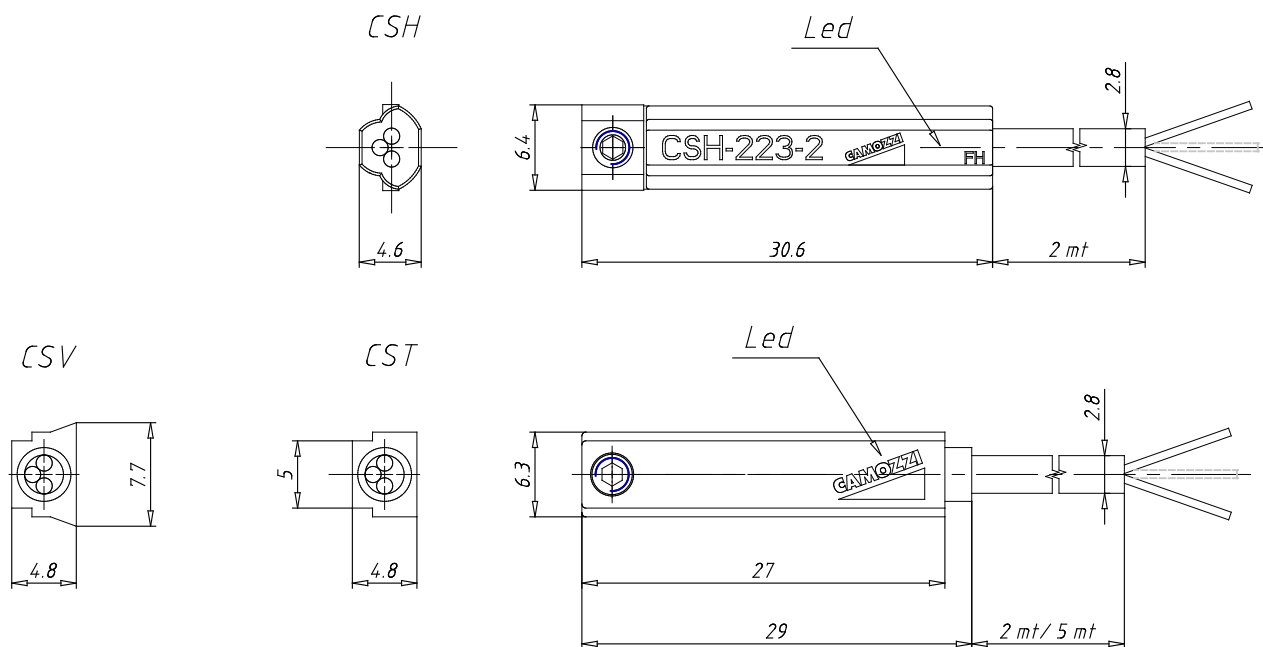


TECHNICAL DATA

Mod.	CST-232EX
Description	Reed sensor 3 wires with cable 2 mt

Magnetic proximity switch - Series CST, CSV e CSH

Product code: CST-232EX



DIMENSIONS

Mod.	CST-232EX
Description	Reed sensor 3 wires with cable 2 mt