

Rear and front flange - Mod. D-E

Product code: D-E-31-100

Datasheet creation date: 07/03/2025 15:56

Check the most updated document online [click here](#)

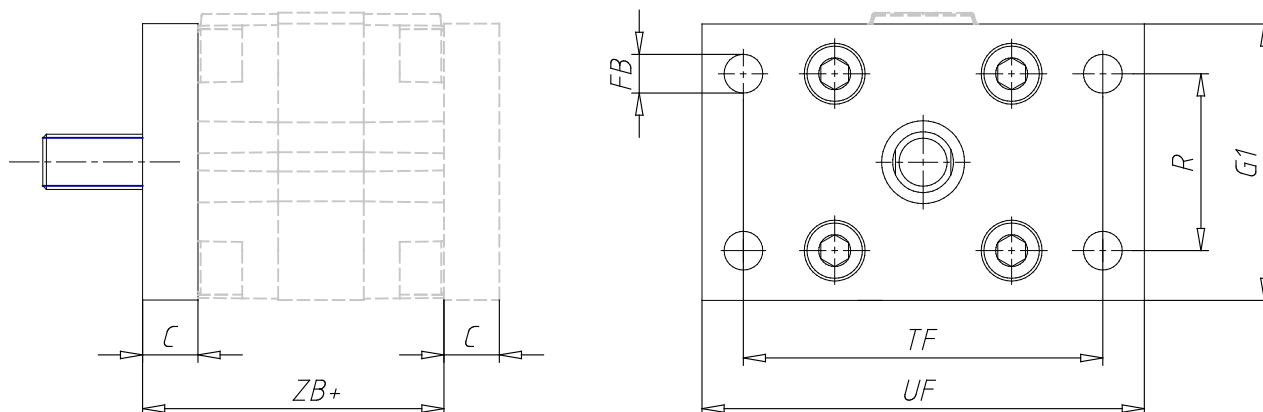


TECHNICAL DATA

Mod.	D-E-31-100
Matching series	31
Screw	M10x22

Rear and front flange - Mod. D-E

Product code: D-E-31-100



DIMENSIONS

MF (mm)	15
TF (mm)	163
R (mm)	75
UF (mm)	190
E (mm)	128
Ø FB (mm)	14.0
ZB (mm)	81.5
ZF (mm)	0.0