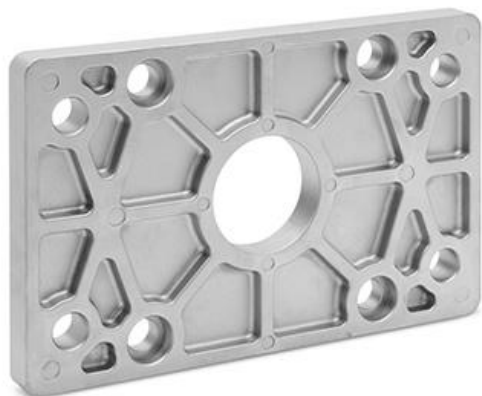


Rear and front flange - Mod. D- E

Product code: D-E-31-50

Datasheet creation date: 07/03/2025 15:57

Check the most updated document online [click here](#)

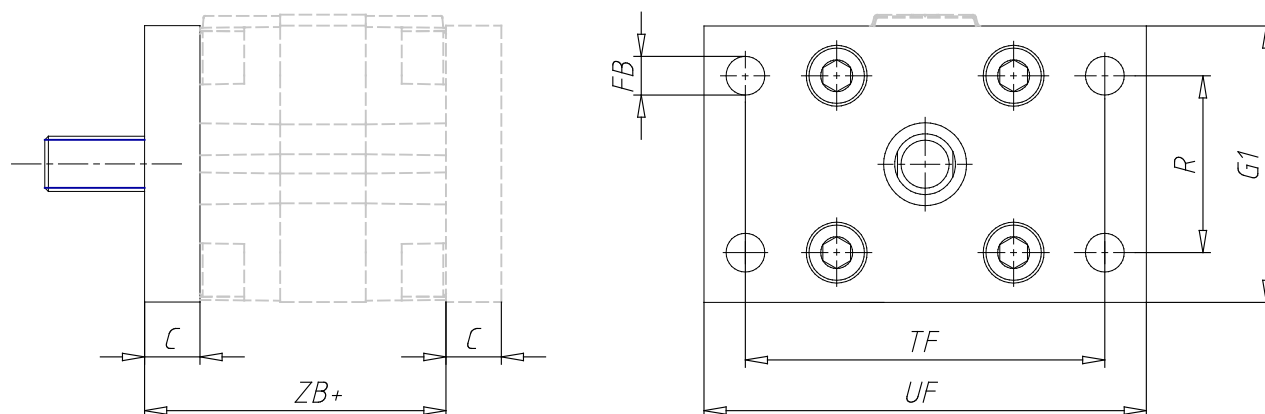


TECHNICAL DATA

Mod.	D-E-31-50
------	-----------

Rear and front flange - Mod. D- E

Product code: D-E-31-50



DIMENSIONS

C (mm)	12
ZB (mm)	57.5
TF (mm)	90
R (mm)	45
UF (mm)	110
G1 (mm)	68
Ø FB (mm)	9.0