

Rear and front flange - Mod. D-E

Product code: D-E-31-80

Datasheet creation date: 07/03/2025 15:57

Check the most updated document online [click here](#)

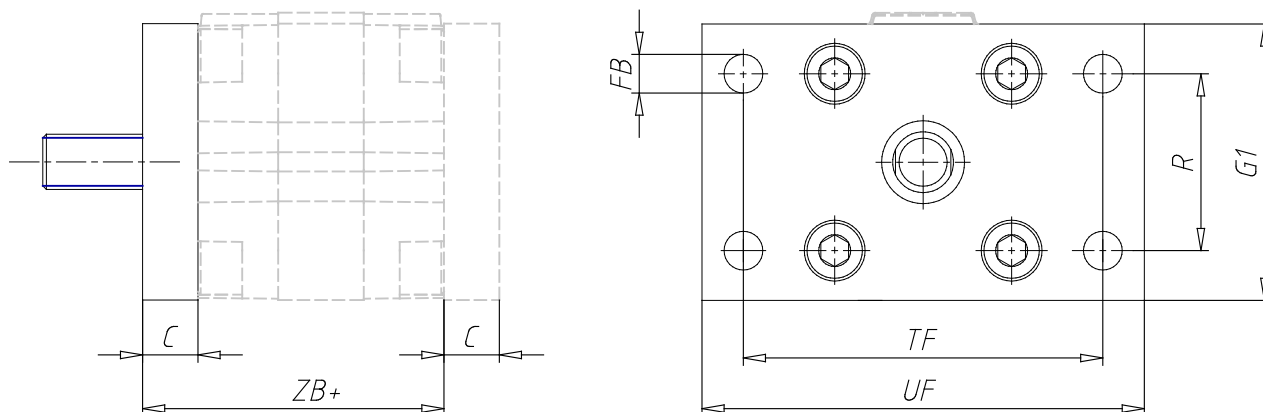


TECHNICAL DATA

| | |
|------------------------|-----------|
| Mod. | D-E-31-80 |
| Matching series | 31 |
| Screw | M10x22 |

Rear and front flange - Mod. D-E

Product code: D-E-31-80



DIMENSIONS

| | |
|------------------|------|
| MF (mm) | 15 |
| TF (mm) | 135 |
| R (mm) | 63 |
| UF (mm) | 160 |
| E (mm) | 107 |
| Ø FB (mm) | 12.0 |
| ZB (mm) | 71.0 |
| ZF (mm) | 0.0 |