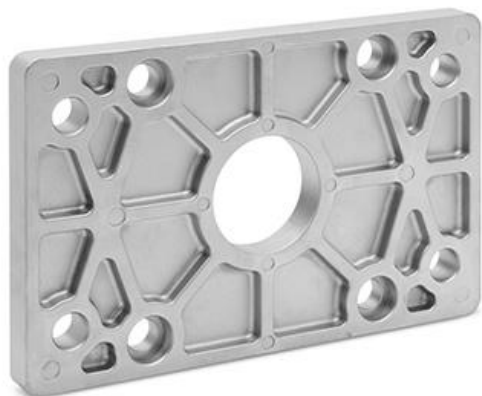


Rear and front flange - Mod. D- E

Product code: D-E-32-20

Datasheet creation date: 07/03/2025 15:57

Check the most updated document online [click here](#)

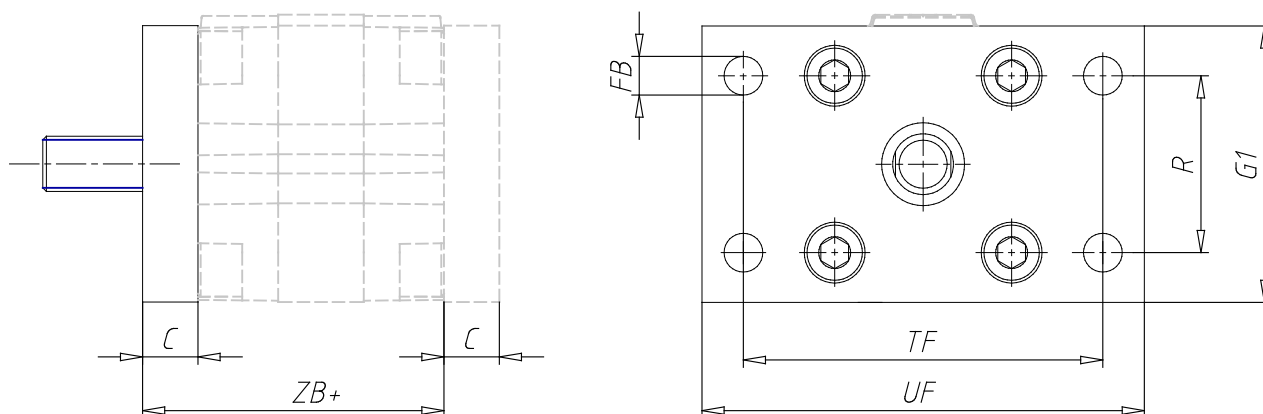


TECHNICAL DATA

Mod.	D-E-32-20
------	-----------

Rear and front flange - Mod. D- E

Product code: D-E-32-20



DIMENSIONS

C (mm)	10
ZB (mm)	48.0
TF (mm)	55
R (mm)	-
UF (mm)	70
G1 (mm)	36
∅ FB (mm)	6.6