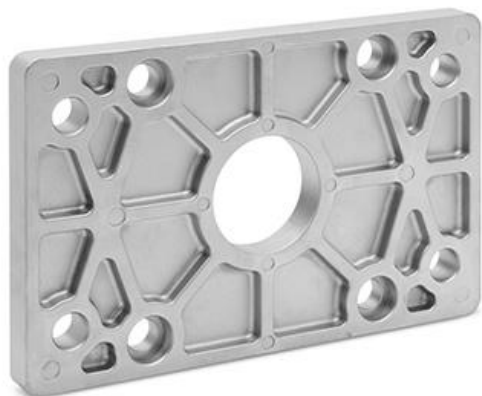


Front and rear flange - Mod. D-E

Product code: D-E-41-250

Datasheet creation date: 07/03/2025 15:58

Check the most updated document online [click here](#)

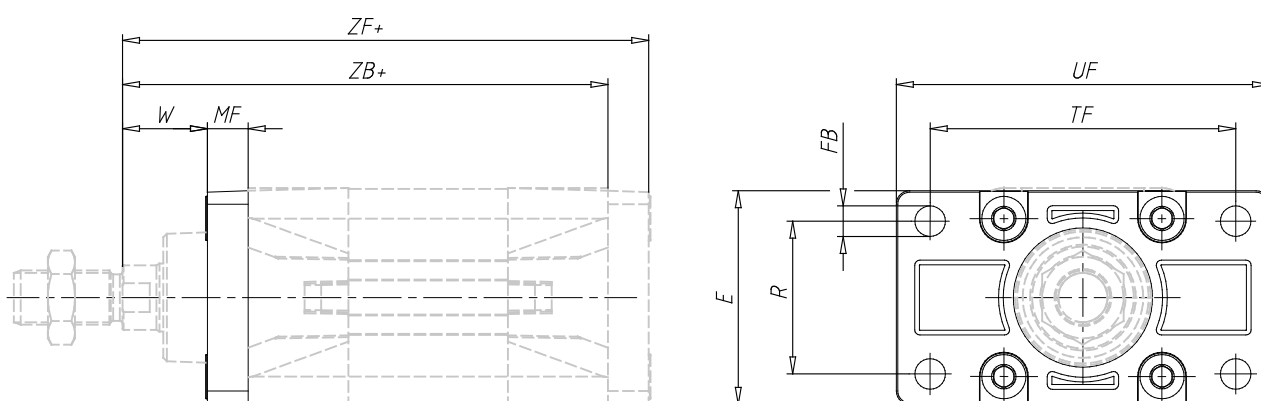


TECHNICAL DATA

Mod.	D-E-41-250
------	------------

Front and rear flange - Mod. D-E

Product code: D-E-41-250



DIMENSIONS

W (mm)	80
MF (mm)	25
ZB (mm)	305
TF (mm)	330
R (mm)	165
UF (mm)	400
E (mm)	285
FB H13 (mm)	26
ZF (mm)	330
Torque force	50 Nm