

## Module for additional supply and exhaust - Series D (VA)

Product code: D1AVA-Y

Datasheet creation date: 07/03/2025 16:18

Check the most updated document online [click here](#)

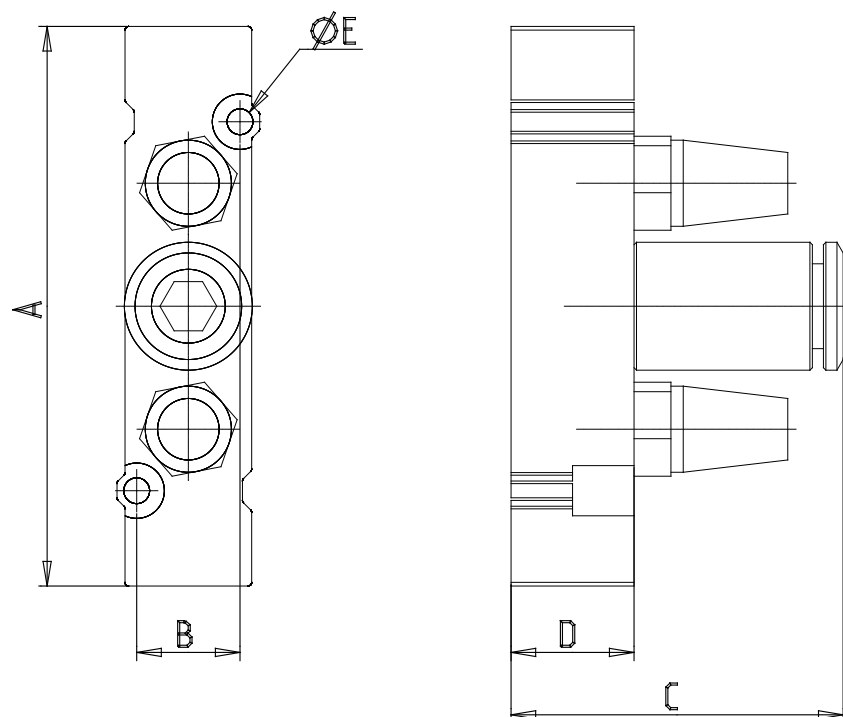


### TECHNICAL DATA

Mod.	D1AVA-Y
Size (mm)	10.5

## Module for additional supply and exhaust - Series D (VA)

Product code: D1AVA-Y



### DIMENSIONS

<b>A (mm)</b>	45.5
<b>B (mm)</b>	8.4
<b>C (mm)</b>	10
<b>D (mm)</b>	5
<b>E (mm)</b>	2.1