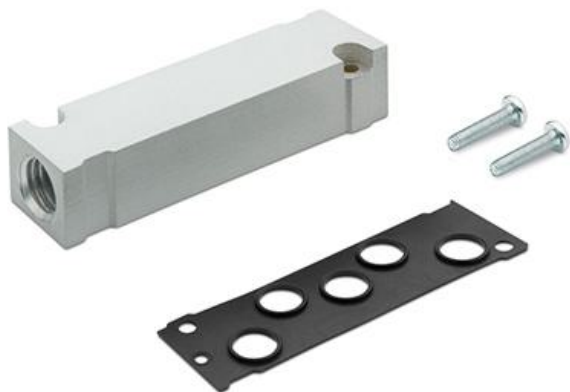


## Blanking plate for manifolds - Series D (VB)

Product code: D1AVB-L

Datasheet creation date: 10/03/2025 11:11

Check the most updated document online [click here](#)

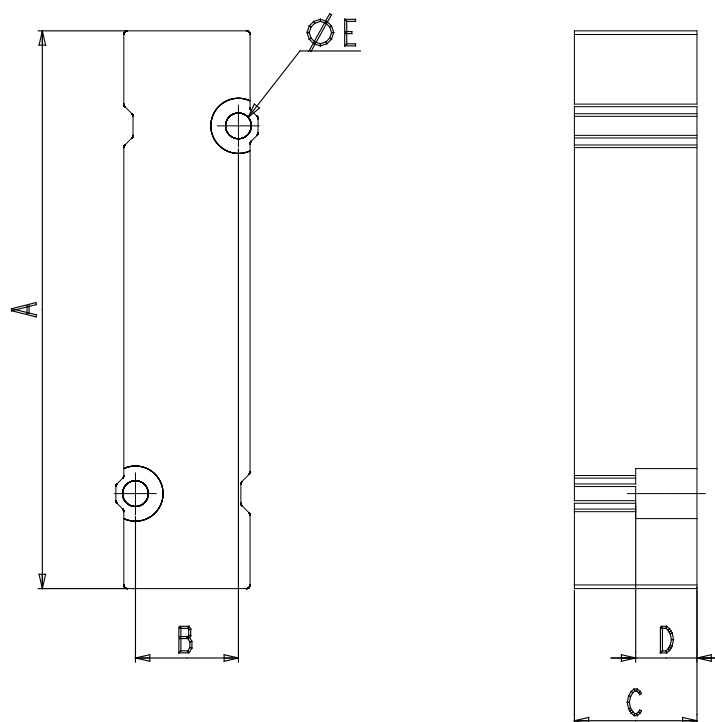


### TECHNICAL DATA

	45.5
	8.4
	10
	5
	2.1

## Blanking plate for manifolds - Series D (VB)

Product code: D1AVB-L



### **DIMENSIONS**

	45.5
	8.4
	10
	5
	2.1