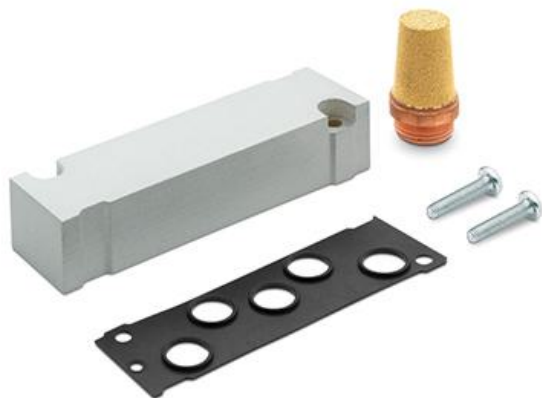


Module for additional supply and exhaust - Series D (VB)

Product code: D1AVB-X

Datasheet creation date: 07/03/2025 16:18

Check the most updated document online [click here](#)

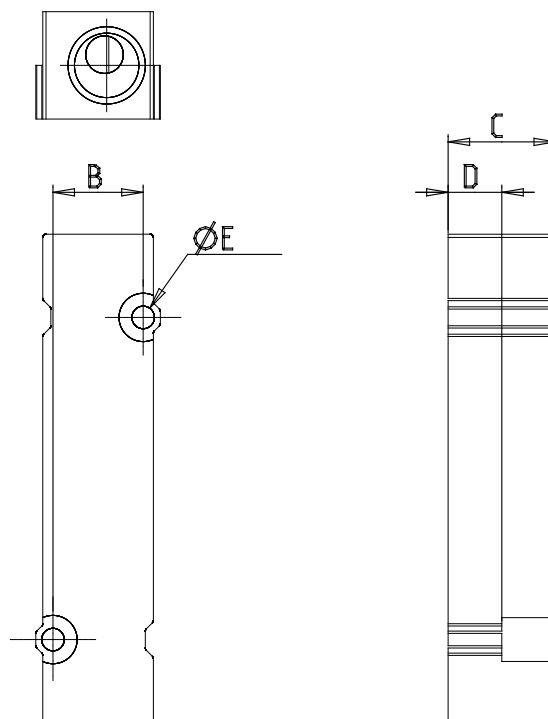


■ TECHNICAL DATA

Mod.	D1AVB-X
Size (mm)	10.5

Module for additional supply and exhaust - Series D (VB)

Product code: D1AVB-X



DIMENSIONS

A (mm)	45.0
B (mm)	8.4
C (mm)	10
D (mm)	5
E (mm)	2.1