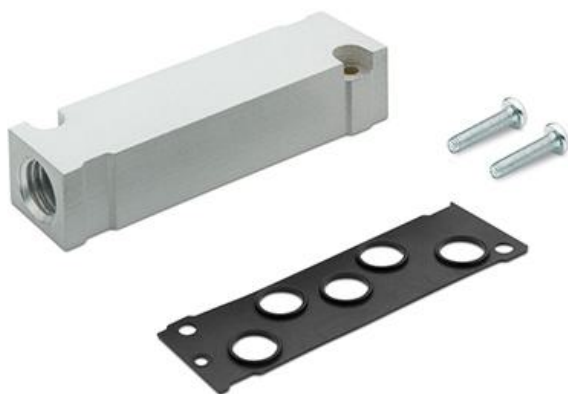


Blanking plate for manifolds - Series D (VB)

Product code: D2AVB-L

Datasheet creation date: 10/03/2025 11:18

Check the most updated document online [click here](#)

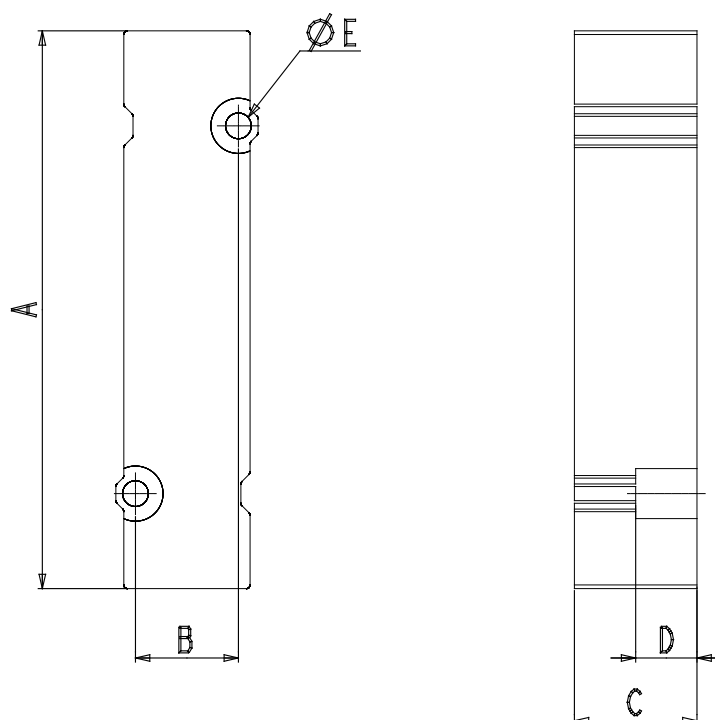


TECHNICAL DATA

	65.0
	12.0
	15
	12
	3.3

Blanking plate for manifolds - Series D (VB)

Product code: D2AVB-L



DIMENSIONS

	65.0
	12.0
	15
	12
	3.3