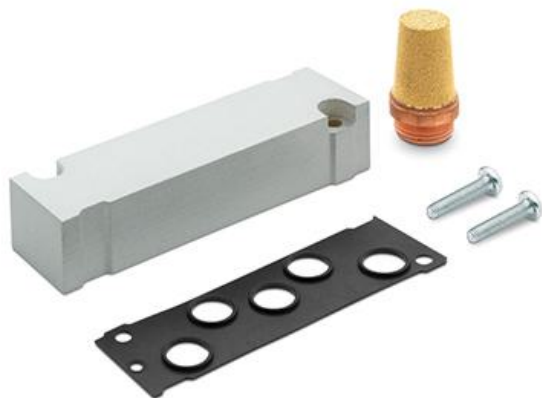


## Module for additional supply and exhaust - Series D (VB)

Product code: D2AVB-Y

Datasheet creation date: 07/03/2025 16:19

Check the most updated document online [click here](#)

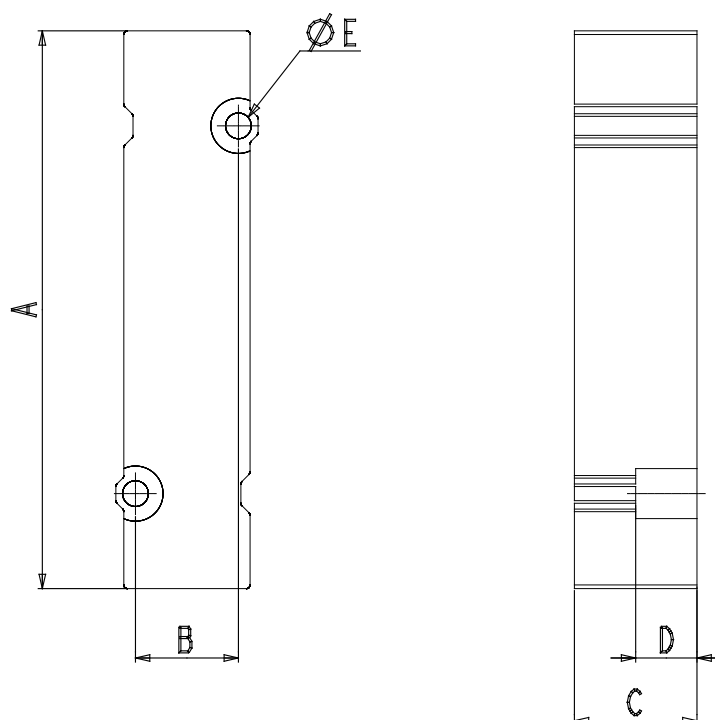


### TECHNICAL DATA

Mod.	D2AVB-Y
Size (mm)	16

## Module for additional supply and exhaust - Series D (VB)

Product code: D2AVB-Y



### DIMENSIONS

<b>A (mm)</b>	81.4
<b>B (mm)</b>	12.0
<b>C (mm)</b>	15
<b>D (mm)</b>	12
<b>E (mm)</b>	3.3