

Valves and solenoid valves - Series D (VB)

Product code: D43VB-CR

Datasheet creation date: 10/03/2025 11:24

Check the most updated document online [click here](#)

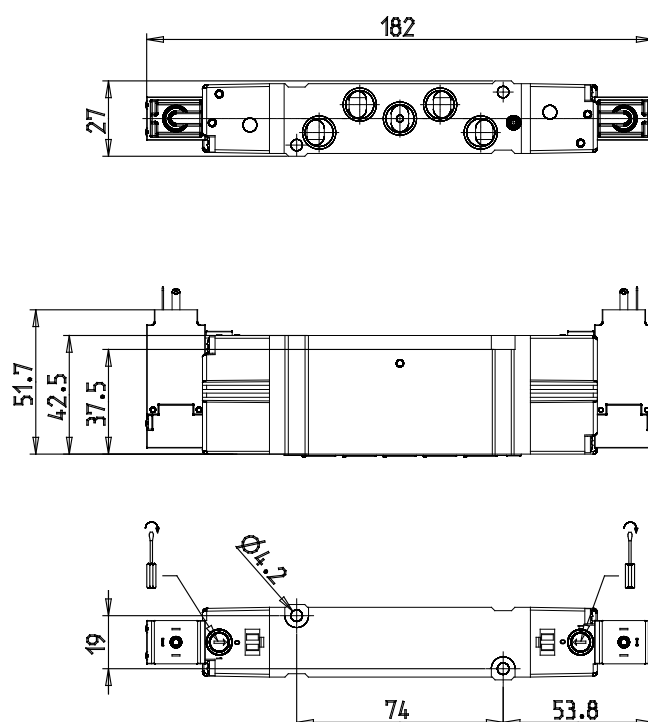


TECHNICAL DATA

Series	D
Size (mm)	4 = 25 mm
Actuation	3 = elettrica 15 mm
Component	VB = Valve with body for sub-base
Type of solenoid valve	C = 2 x 3/2 NC
Type of manual override	R = with push and turn device

Valves and solenoid valves - Series D (VB)

Product code: D43VB-CR



DIMENSIONS

Series	D
Size (mm)	4 = 25 mm
Actuation	3 = elettrica 15 mm
Component	VB = Valve with body for sub-base
Type of solenoid valve	C = 2 x 3/2 NC
Type of manual override	R = with push and turn device