

## Valves and solenoid valves - Series D (VB)

Product code: D43VB-GR

Datasheet creation date: 10/03/2025 11:24

Check the most updated document online [click here](#)

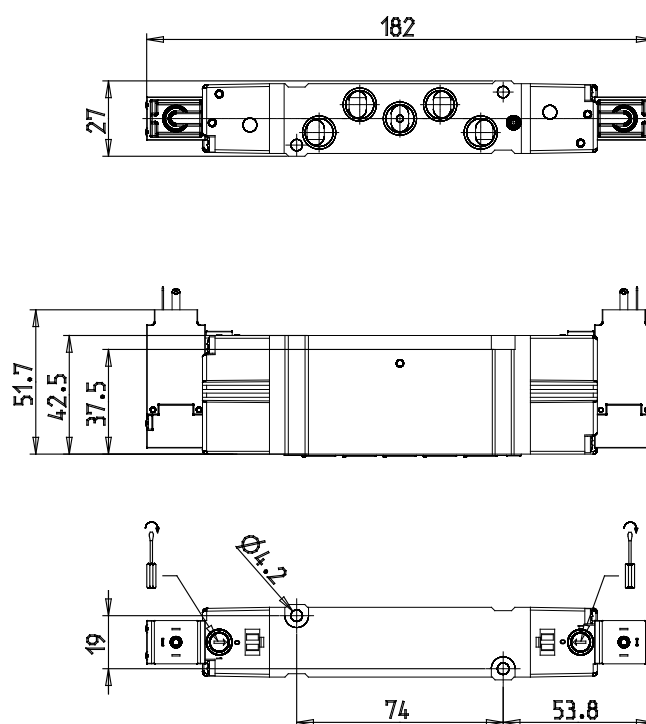


### TECHNICAL DATA

<b>Series</b>	D
<b>Size (mm)</b>	4 = 25 mm
<b>Actuation</b>	3 = elettrica 15 mm
<b>Component</b>	VB = Valve with body for sub-base
<b>Type of solenoid valve</b>	G = 2 x 3/2 (NC+NO)
<b>Type of manual override</b>	R = with push and turn device

## Valves and solenoid valves - Series D (VB)

Product code: D43VB-GR



### DIMENSIONS

<b>Series</b>	D
<b>Size (mm)</b>	4 = 25 mm
<b>Actuation</b>	3 = elettrica 15 mm
<b>Component</b>	VB = Valve with body for sub-base
<b>Type of solenoid valve</b>	G = 2 x 3/2 (NC+NO)
<b>Type of manual override</b>	R = with push and turn device