

Module for additional supply and exhaust - Series D (VA)

Product code: D4AVA-X

Datasheet creation date: 07/03/2025 16:19

Check the most updated document online [click here](#)

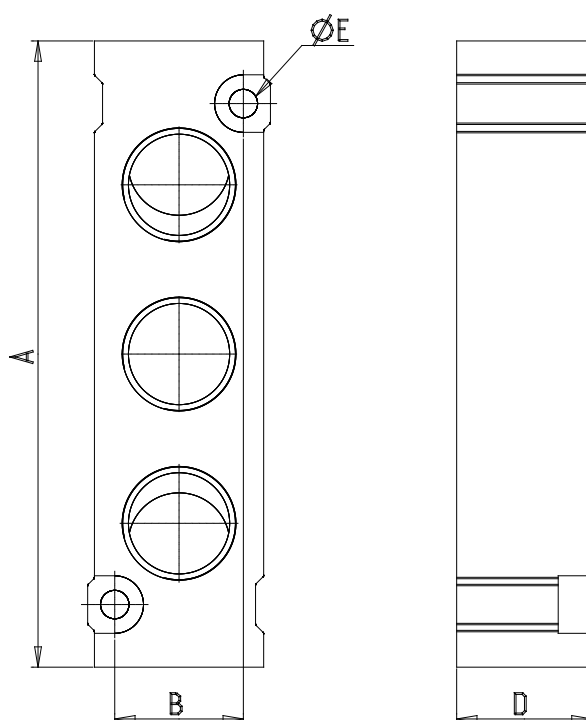


TECHNICAL DATA

Mod.	D4AVA-X
Size (mm)	25

Module for additional supply and exhaust - Series D (VA)

Product code: D4AVA-X



DIMENSIONS

A (mm)	92.5
B (mm)	19.0
C (mm)	20
D (mm)	5
E (mm)	4.2