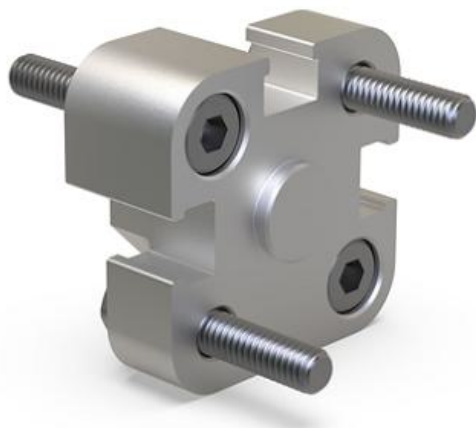


Flange - Mod. DC-32

Product code: DC-32-50

Datasheet creation date: 07/03/2025 15:57

Check the most updated document online [click here](#)

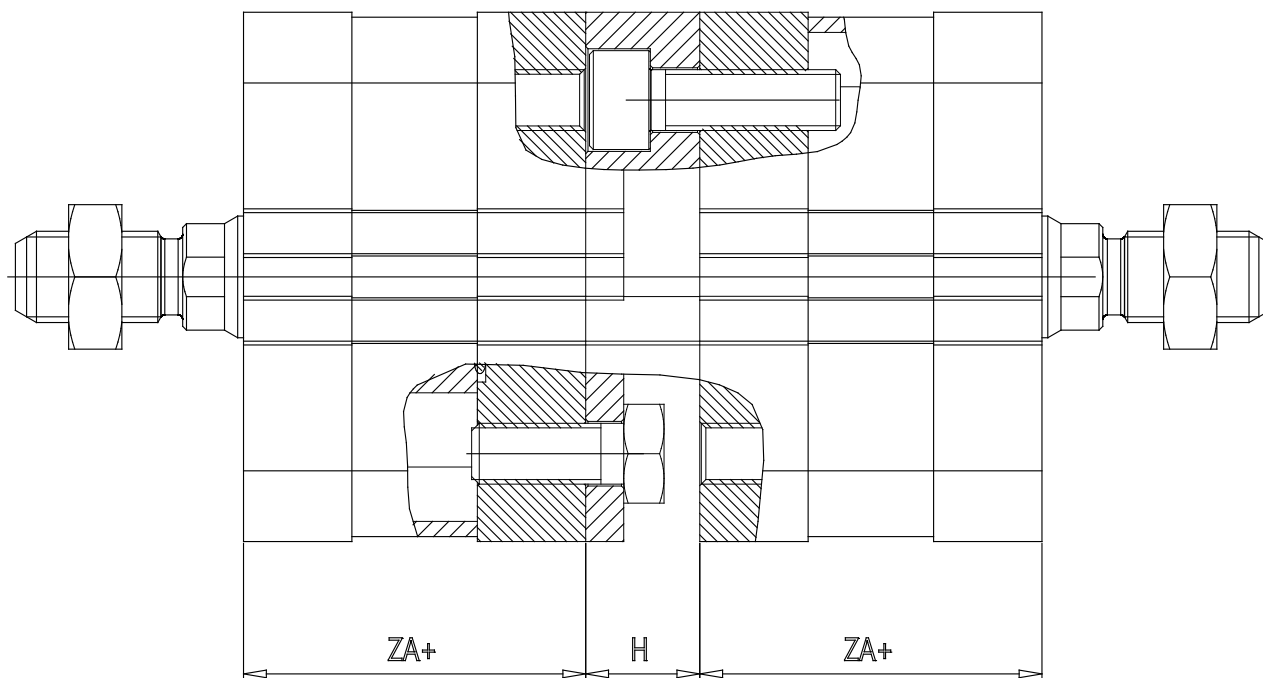


TECHNICAL DATA

Mod.	DC-32-50
------	----------

Flange - Mod. DC-32

Product code: DC-32-50



DIMENSIONS

ZA+ (mm)	45.0
H (mm)	15.0