

Manifold - Series D (VB)

Product code: DCB40-10

Datasheet creation date: 07/03/2025 16:24

Check the most updated document online [click here](#)

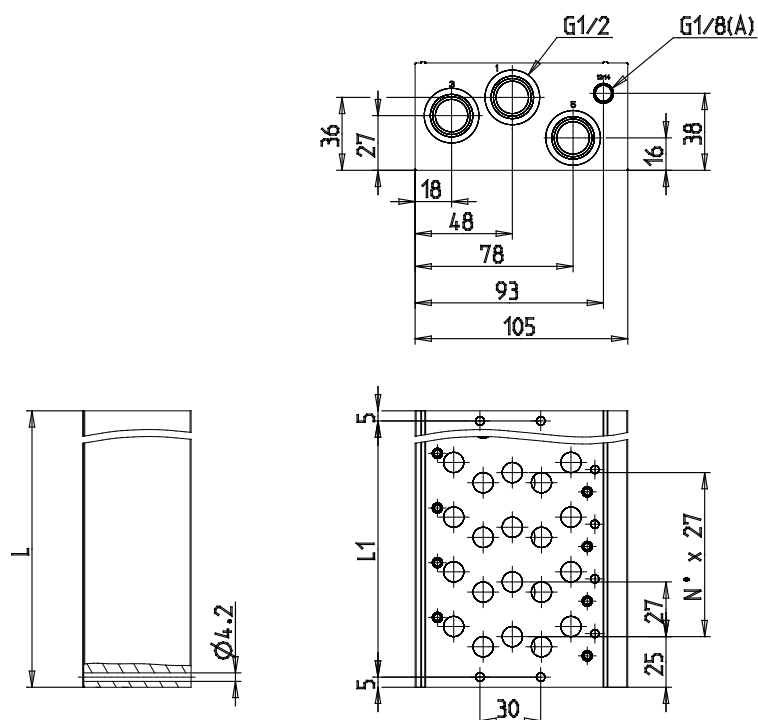


TECHNICAL DATA

Series	DC
Manifolds for valves model VB	B = For type VB valves
Size	4 = 25 mm
Servo-Pilot Supply	0 = Kit included for internal/external servo-pilot supply
Number of position	10
Manifolds length (mm)	305

Manifold - Series D (VB)

Product code: DCB40-10



DIMENSIONS

Series	DC
Manifolds for valves model VB	B = For type VB valves
Size	4 = 25 mm
Servo-Pilot Supply	0 = Kit included for internal/external servo-pilot supply
Number of position	10
Manifolds length (mm)	305