

Integrated field-oriented control drive - Series DRVI

Product code: DRVI-23ST012-0E-ECSF

Datasheet creation date: 07/03/2025 15:50

Check the most updated document online [click here](#)

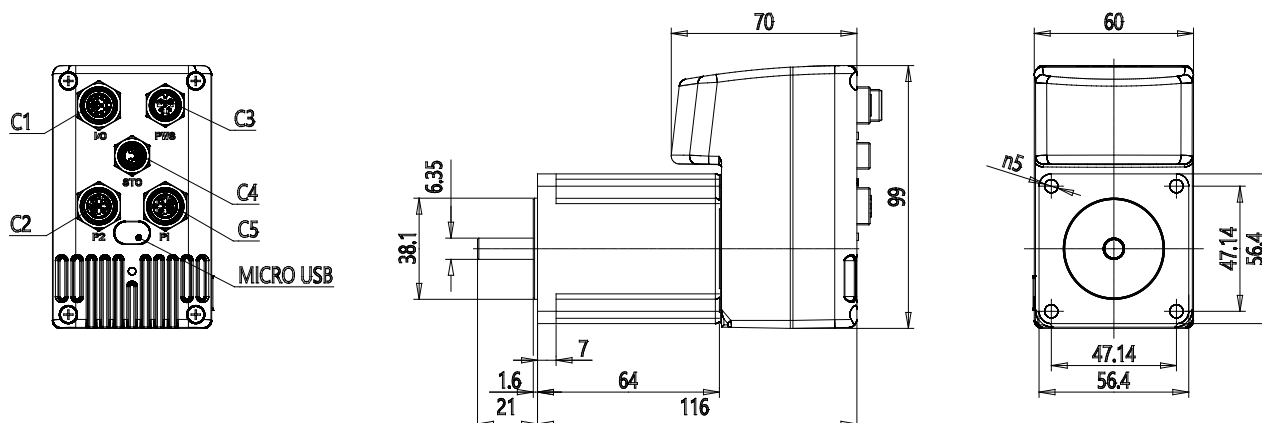


TECHNICAL DATA

Series	DRVI
Motor flange	23 = Nema 23
Motor type	ST = stepper
Torque	012 = 1,2 Nm
Motor brake	0 = no brake
Encoder	E = absolute single turn encoder
Protocol	EC = EtherCAT
Safety function	SF = Safe torque off (not certified)

Integrated field-oriented control drive - Series DRVI

Product code: DRVI-23ST012-0E-ECSF



DIMENSIONS

Series	DRVI
Motor flange	23 = Nema 23
Motor type	ST = stepper
Torque	012 = 1,2 Nm
Motor brake	0 = no brake
Encoder	E = absolute single turn encoder
Protocol	EC = EtherCAT
Safety function	SF = Safe torque off (not certified)