

Integrated field-oriented control drive - Series DRVI

Product code: DRVI-23ST012-BE-COSF

Datasheet creation date: 20/05/2026 08:18

Check the most updated document online [click here](#)

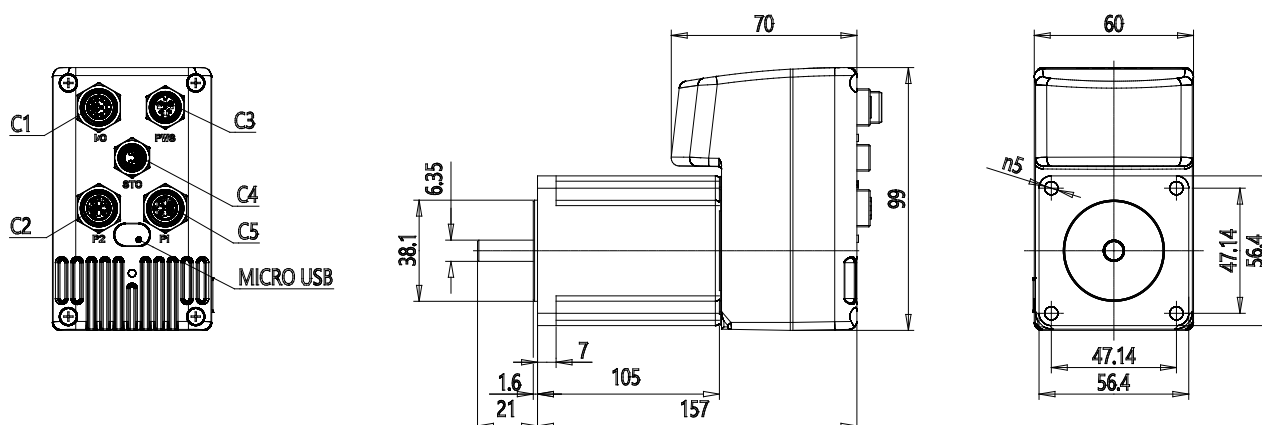


TECHNICAL DATA

Series	DRVI
Motor flange	23 = Nema 23
Motor type	ST = stepper
Torque	012 = 1,2 Nm
Motor brake	B = with brake
Encoder	E = absolute single turn encoder
Protocol	CO = CANopen
Safety function	SF = Safe torque off (not certified)

Integrated field-oriented control drive - Series DRVI

Product code: DRVI-23ST012-BE-COSF



DIMENSIONS

Series	DRVI
Motor flange	23 = Nema 23
Motor type	ST = stepper
Torque	012 = 1,2 Nm
Motor brake	B = with brake
Encoder	E = absolute single turn encoder
Protocol	CO = CANopen
Safety function	SF = Safe torque off (not certified)