

Integrated field-oriented control drive - Series DRVI

Product code: DRVI-24EC125-0E-CO

Datasheet creation date: 07/03/2025 15:49

Check the most updated document online [click here](#)

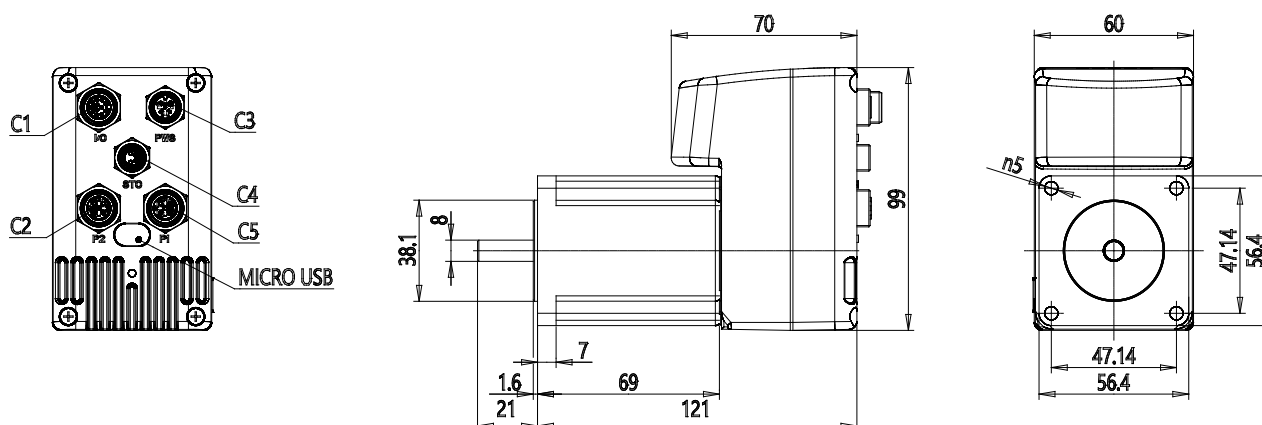


TECHNICAL DATA

Series	DRVI
Motor flange	24 = Nema 24
Motor type	EC = brushless DC
Torque	125 = 125 W
Motor brake	0 = no brake
Encoder	E = absolute single turn encoder
Protocol	CO = CANopen
Safety function	= standard

Integrated field-oriented control drive - Series DRVI

Product code: DRVI-24EC125-0E-CO



DIMENSIONS

Series	DRVI
Motor flange	24 = Nema 24
Motor type	EC = brushless DC
Torque	125 = 125 W
Motor brake	0 = no brake
Encoder	E = absolute single turn encoder
Protocol	CO = CANopen
Safety function	= standard