

## Integrated field-oriented control drive - Series DRVI

Product code: DRVI-24EC125-0E-COSF

Datasheet creation date: 07/03/2025 15:49

Check the most updated document online [click here](#)

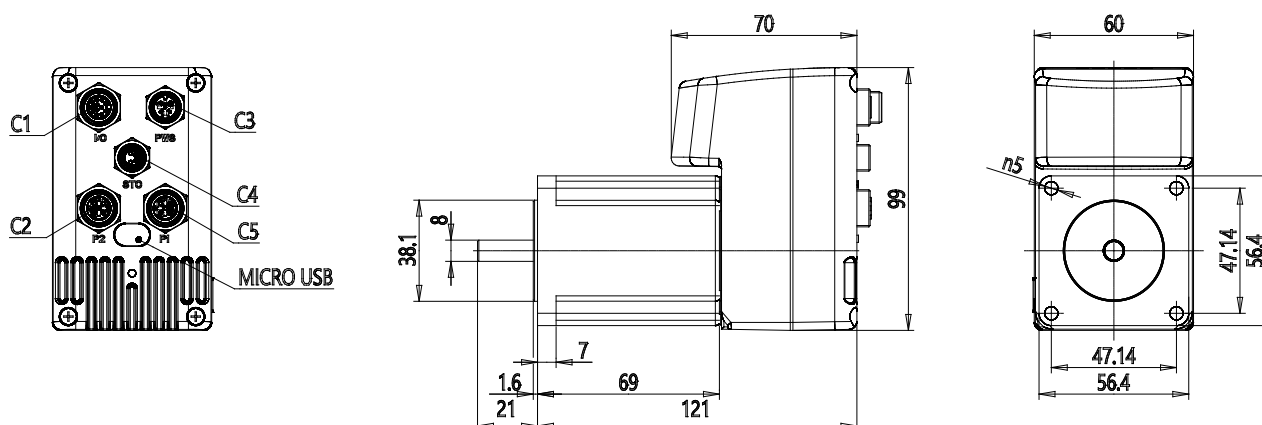


### TECHNICAL DATA

<b>Series</b>	DRVI
<b>Motor flange</b>	24 = Nema 24
<b>Motor type</b>	EC = brushless DC
<b>Torque</b>	125 = 125 W
<b>Motor brake</b>	0 = no brake
<b>Encoder</b>	E = absolute single turn encoder
<b>Protocol</b>	CO = CANopen
<b>Safety function</b>	SF = Safe torque off (not certified)

## Integrated field-oriented control drive - Series DRVI

Product code: DRVI-24EC125-0E-COSF



### DIMENSIONS

<b>Series</b>	DRVI
<b>Motor flange</b>	24 = Nema 24
<b>Motor type</b>	EC = brushless DC
<b>Torque</b>	125 = 125 W
<b>Motor brake</b>	0 = no brake
<b>Encoder</b>	E = absolute single turn encoder
<b>Protocol</b>	CO = CANopen
<b>Safety function</b>	SF = Safe torque off (not certified)