

## Integrated field-oriented control drive - Series DRVI

Product code: DRVI-24ST022-0E-EI

Datasheet creation date: 07/03/2025 15:51

Check the most updated document online [click here](#)

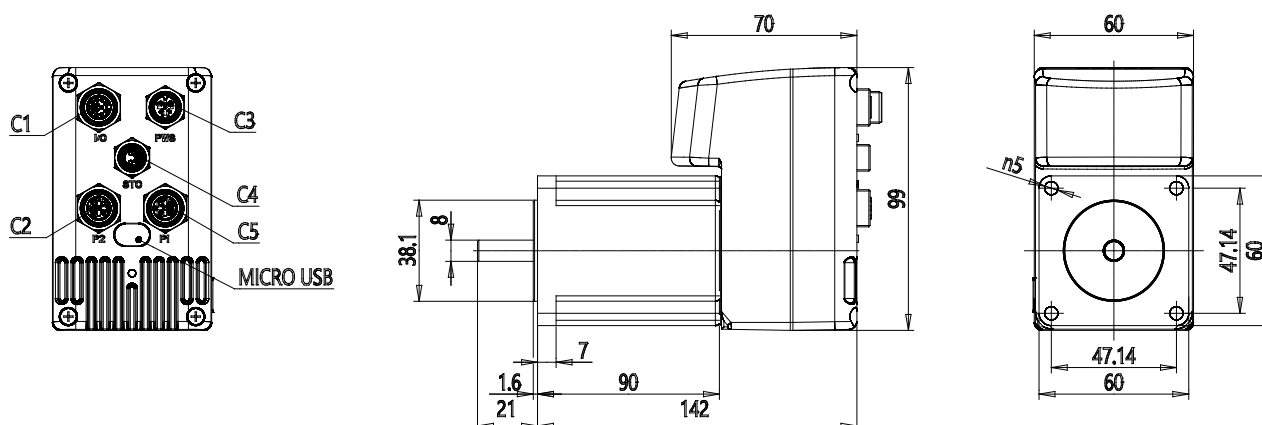


### TECHNICAL DATA

<b>Series</b>	DRVI
<b>Motor flange</b>	24 = Nema 24
<b>Motor type</b>	ST = stepper
<b>Torque</b>	022 = 2,2 Nm
<b>Motor brake</b>	0 = no brake
<b>Encoder</b>	E = absolute single turn encoder
<b>Protocol</b>	EI = EtherNet/IP
<b>Safety function</b>	= standard

## Integrated field-oriented control drive - Series DRVI

Product code: DRVI-24ST022-0E-EI



### DIMENSIONS

<b>Series</b>	DRVI
<b>Motor flange</b>	24 = Nema 24
<b>Motor type</b>	ST = stepper
<b>Torque</b>	022 = 2,2 Nm
<b>Motor brake</b>	0 = no brake
<b>Encoder</b>	E = absolute single turn encoder
<b>Protocol</b>	EI = EtherNet/IP
<b>Safety function</b>	= standard