

## Valves and solenoid valves - Series EN

Product code: EN530-16-P56

Datasheet creation date: 20/05/2026 08:44

Check the most updated document online [click here](#)

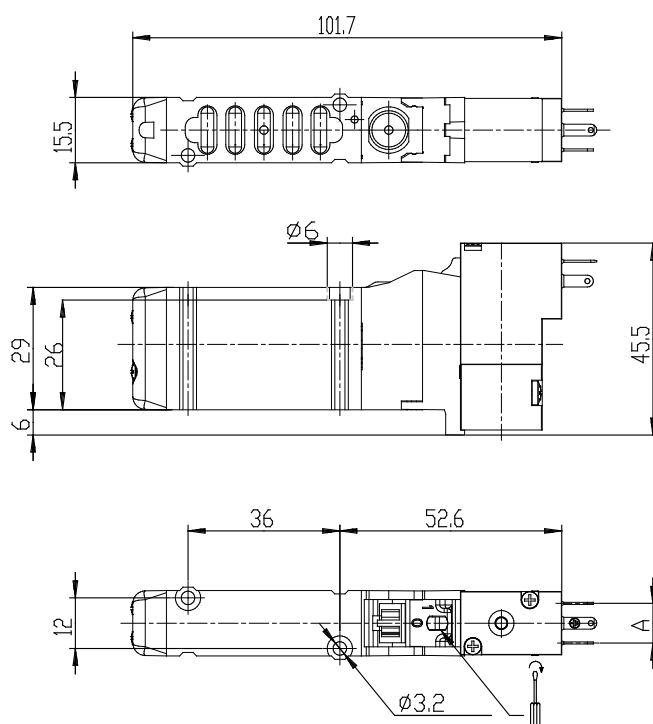


### TECHNICAL DATA

<b>Series</b>	EN
<b>Function</b>	5 = 5/2 (5 ports/2 positions)
<b>Size</b>	3 = size 16
<b>Body type (mm)</b>	0 = body for sub-base
<b>Operation</b>	16 = electro-pneumatic, monostable
<b>Type of solenoid</b>	P56 = 110V DC - 2W

## Valves and solenoid valves - Series EN

Product code: EN530-16-P56



### DIMENSIONS

<b>Series</b>	EN
<b>Function</b>	5 = 5/2 (5 ports/2 positions)
<b>Size</b>	3 = size 16
<b>Body type (mm)</b>	0 = body for sub-base
<b>Operation</b>	16 = electro-pneumatic, monostable
<b>Type of solenoid</b>	P56 = 110V DC - 2W