

## Valves and solenoid valves - Series EN

Product code: EN530-36

Datasheet creation date: 20/05/2026 08:44

Check the most updated document online [click here](#)

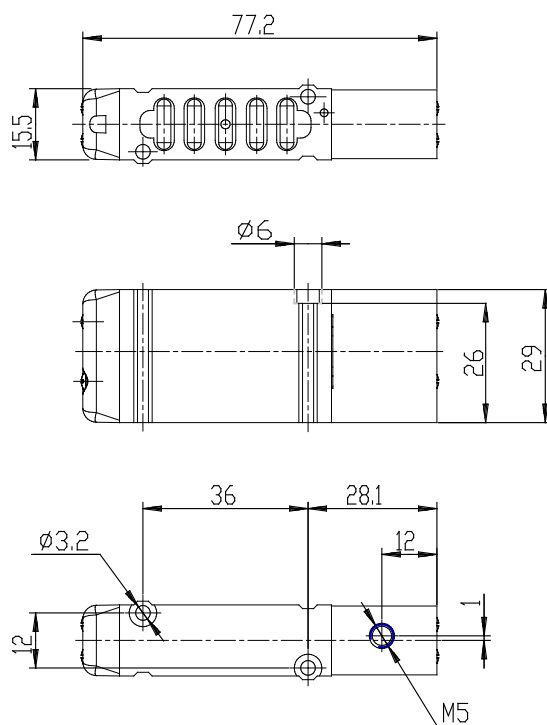


### TECHNICAL DATA

|                         |                               |
|-------------------------|-------------------------------|
| <b>Series</b>           | EN                            |
| <b>Function</b>         | 5 = 5/2 (5 ports/2 positions) |
| <b>Size</b>             | 3 = size 16                   |
| <b>Body type (mm)</b>   | 0 = body for sub-base         |
| <b>Operation</b>        | 36 = pneumatic monostable     |
| <b>Type of solenoid</b> |                               |

## Valves and solenoid valves - Series EN

Product code: EN530-36



### DIMENSIONS

|                         |                               |
|-------------------------|-------------------------------|
| <b>Series</b>           | EN                            |
| <b>Function</b>         | 5 = 5/2 (5 ports/2 positions) |
| <b>Size</b>             | 3 = size 16                   |
| <b>Body type (mm)</b>   | 0 = body for sub-base         |
| <b>Operation</b>        | 36 = pneumatic monostable     |
| <b>Type of solenoid</b> |                               |