

Manifold - Series EN 16

Product code: EN531-1006

Datasheet creation date: 20/05/2026 08:44

Check the most updated document online [click here](#)

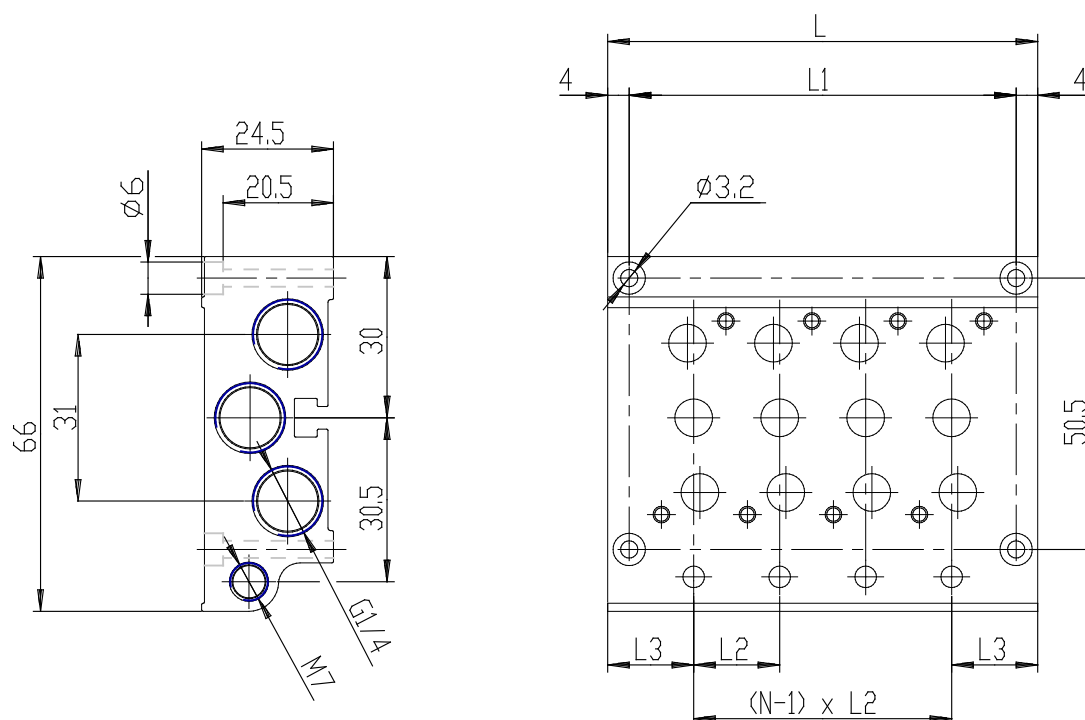


■ TECHNICAL DATA

Mod.	EN531-1006
Number of positions	6

Manifold - Series EN 16

Product code: EN531-1006



DIMENSIONS

L (mm)	112
L1 (mm)	104
L2 (mm)	16
L3 (mm)	16