

## Valves and solenoid valves - Series EN 16

Product code: EN531-16-PN3

Datasheet creation date: 10/03/2025 12:05

Check the most updated document online [click here](#)

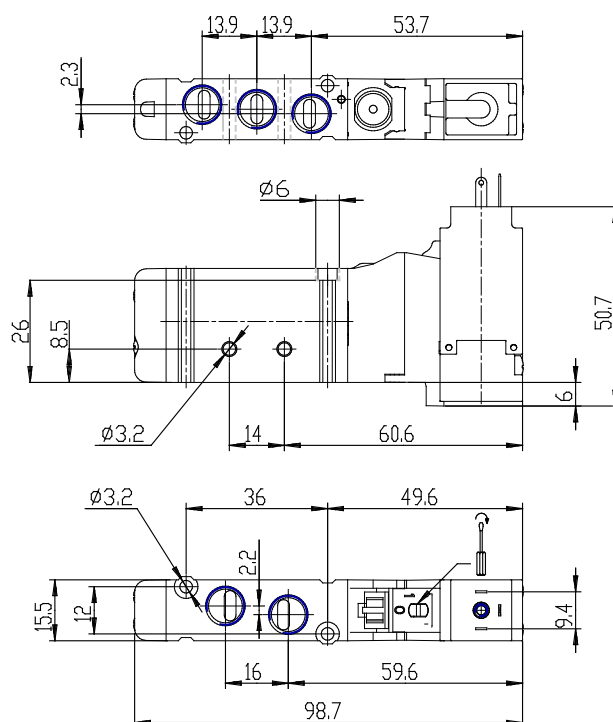


### TECHNICAL DATA

|                         |                                    |
|-------------------------|------------------------------------|
| <b>Series</b>           | EN                                 |
| <b>Function</b>         | 5 = 5/2 (5 ports/2 positions)      |
| <b>Size (mm)</b>        | 3 = size 16                        |
| <b>Body type (mm)</b>   | 1 = body with threaded plate       |
| <b>Operation</b>        | 16 = electro-pneumatic, monostable |
| <b>Type of solenoid</b> | PN3                                |

## Valves and solenoid valves - Series EN 16

Product code: EN531-16-PN3



### DIMENSIONS

|                         |                                    |
|-------------------------|------------------------------------|
| <b>Series</b>           | EN                                 |
| <b>Function</b>         | 5 = 5/2 (5 ports/2 positions)      |
| <b>Size (mm)</b>        | 3 = size 16                        |
| <b>Body type (mm)</b>   | 1 = body with threaded plate       |
| <b>Operation</b>        | 16 = electro-pneumatic, monostable |
| <b>Type of solenoid</b> | PN3                                |