

Valves and solenoid valves - Series EN

Product code: EN531-E16-PN3

Datasheet creation date: 20/05/2026 08:36

Check the most updated document online [click here](#)

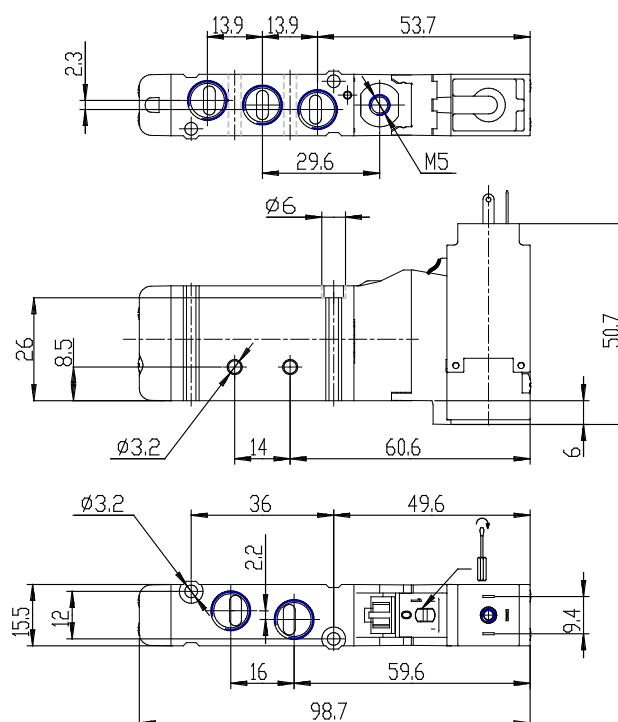


TECHNICAL DATA

Series	EN
Function	5 = 5/2 (5 ports/2 positions)
Size	3 = size 16
Body type (mm)	1 = body with threaded ports
Operation	E16 = electro-pneumatic, monostable with external servo-pilot supply
Type of solenoid	PN3 = 24V DC - 1W

Valves and solenoid valves - Series EN

Product code: EN531-E16-PN3



DIMENSIONS

Series	EN
Function	5 = 5/2 (5 ports/2 positions)
Size	3 = size 16
Body type (mm)	1 = body with threaded ports
Operation	E16 = electro-pneumatic, monostable with external servo-pilot supply
Type of solenoid	PN3 = 24V DC - 1W