

Valves and solenoid valves - Series EN

Product code: EN550-36

Datasheet creation date: 20/05/2026 08:43

Check the most updated document online [click here](#)

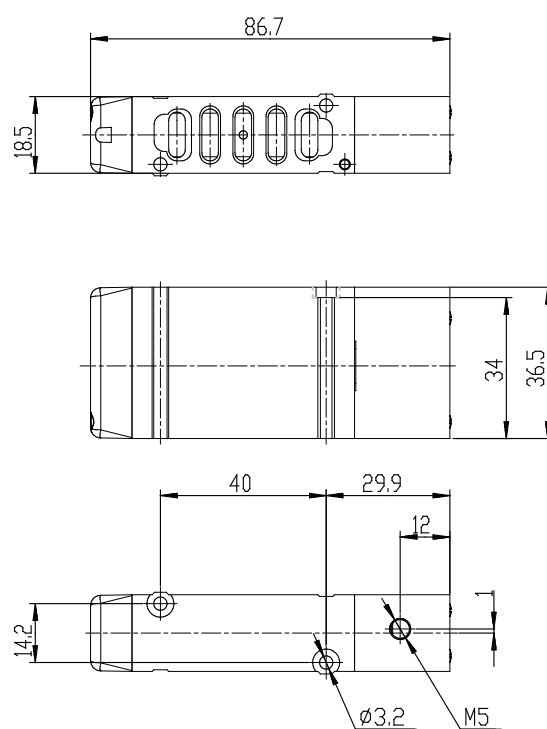


TECHNICAL DATA

Series	EN
Function	5 = 5/2 (5 ports/2 positions)
Size	5 = size 19
Body type (mm)	0 = body for sub-base
Operation	36 = pneumatic monostable
Type of solenoid	

Valves and solenoid valves - Series EN

Product code: EN550-36



DIMENSIONS

Series	EN
Function	5 = 5/2 (5 ports/2 positions)
Size	5 = size 19
Body type (mm)	0 = body for sub-base
Operation	36 = pneumatic monostable
Type of solenoid	