

Manifold - Series EN 19

Product code: EN551-1012

Datasheet creation date: 20/05/2026 08:43

Check the most updated document online [click here](#)

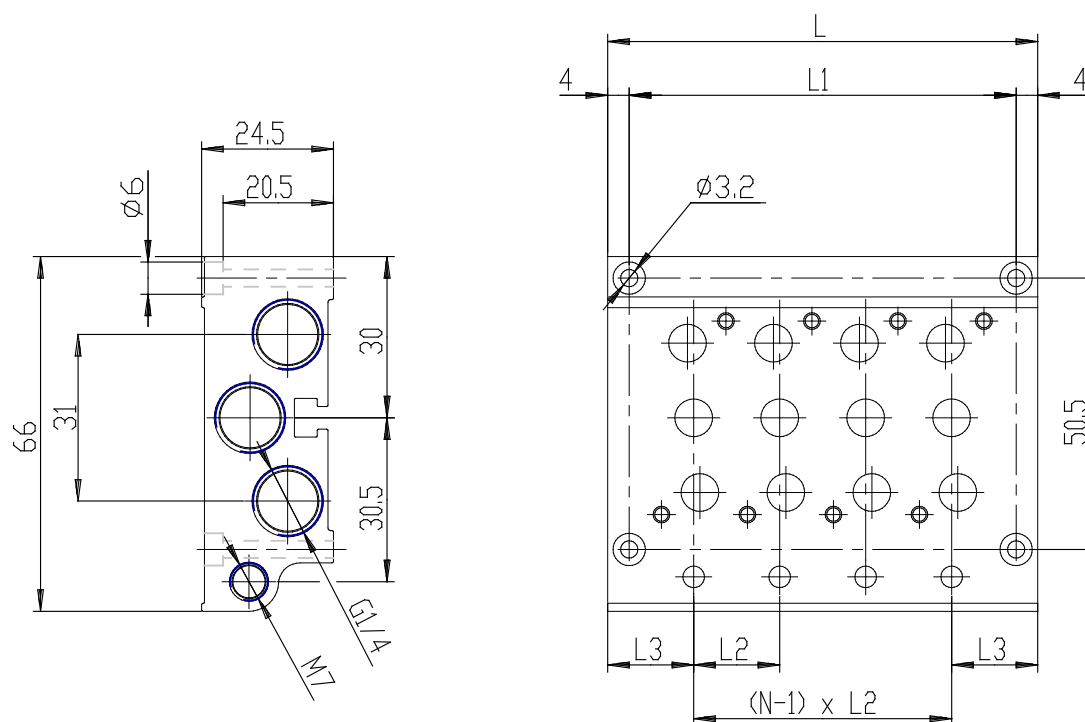


TECHNICAL DATA

Mod.	EN551-1012
Number of positions	12

Manifold - Series EN 19

Product code: EN551-1012



DIMENSIONS

L (mm)	243
L1 (mm)	235
L2 (mm)	19
L3 (mm)	17