

Valves and solenoid valves - Series EN

Product code: EN651-11-PN4

Datasheet creation date: 20/05/2026 08:24

Check the most updated document online [click here](#)

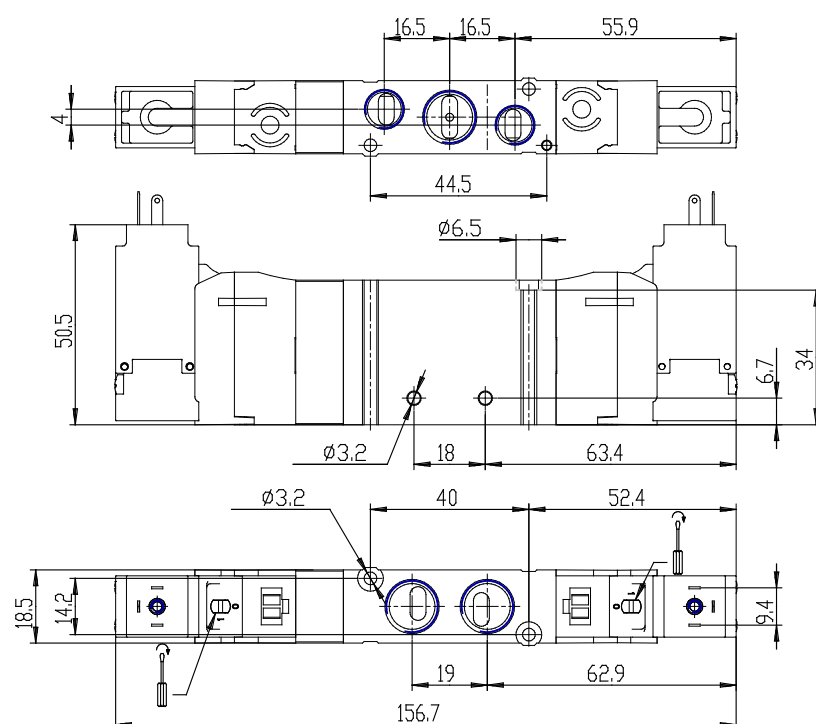


TECHNICAL DATA

Series	EN
Function	6 = 5/3 centre closed
Size	5 = size 19
Body type (mm)	1 = body with threaded ports
Operation	11 = electro-pneumatic, bistable
Type of solenoid	PN4 = 48V DC - 2W

Valves and solenoid valves - Series EN

Product code: EN651-11-PN4



DIMENSIONS

Series	EN
Function	6 = 5/3 centre closed
Size	5 = size 19
Body type (mm)	1 = body with threaded ports
Operation	11 = electro-pneumatic, bistable
Type of solenoid	PN4 = 48V DC - 2W