

Valves and solenoid valves - Series EN

Product code: EN651-11-PN7

Datasheet creation date: 20/05/2026 06:52

Check the most updated document online [click here](#)

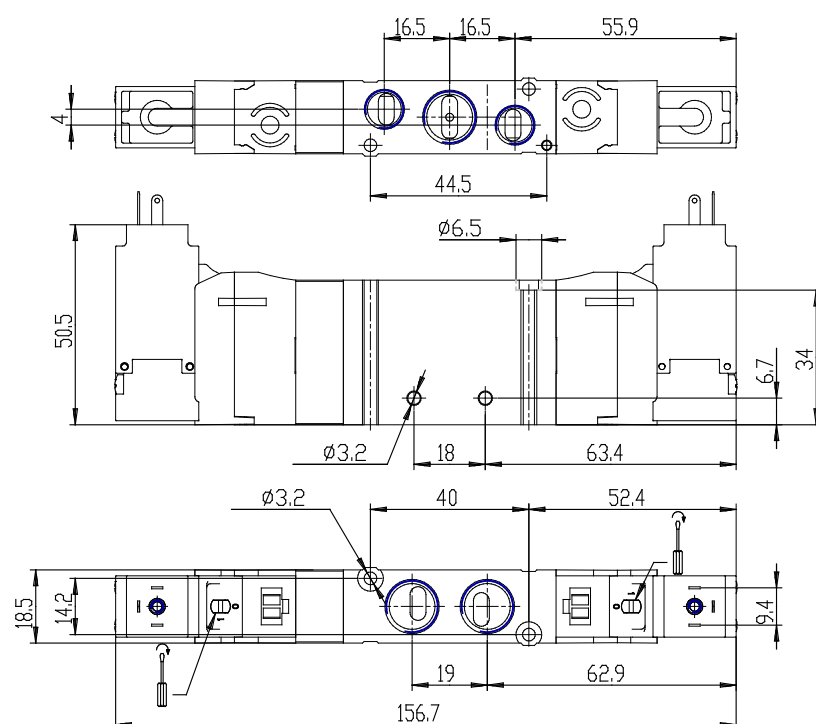


TECHNICAL DATA

Series	EN
Function	6 = 5/3 centre closed
Size	5 = size 19
Body type (mm)	1 = body with threaded ports
Operation	11 = electro-pneumatic, bistable
Type of solenoid	PN7 = 230V - 2W

Valves and solenoid valves - Series EN

Product code: EN651-11-PN7



DIMENSIONS

Series	EN
Function	6 = 5/3 centre closed
Size	5 = size 19
Body type (mm)	1 = body with threaded ports
Operation	11 = electro-pneumatic, bistable
Type of solenoid	PN7 = 230V - 2W